

Latest version of the catalogs

You can always find the latest version of our catalogs in the Download area of our website.

Disclaimer

This publication has been compiled with great care and all information has been checked for accuracy. However, we can assume no liability for incorrect or incomplete information. We reserve the right to make changes to the information and technical data as a result of enhancements to our products. Reprinting or reproducing, even in part, is not permitted without our written consent.



Table of Contents

	Page number
1 Foreword	5
2 Useful Guidelines	6
2.1 Videos	6
2.2 2D and 3D Drawings	6
2.3 Regulations Regarding Substances and Limit Values	6
2.4 Index and Type Designations Assigned to Chapters	7
2.5 Unit Names	10
3 MINI-X Overview	11
4 Applications	12
5 Customized Solutions	14
6 Special Requirements	15
6.1 Temperature Range	15
6.2 Speed and Acceleration	15
6.3 Cleanroom	15
6.4 Vacuum	15
6.5 Corrosion Resistance	16
6.6 Short Strokes	16
6.6.1 Short Strokes with MINISLIDE	16
6.6.2 Short Strokes with MINIRAIL and MINISCALE PLUS	16
7 MINIRAIL Product Overview	17
7.1 Product Characteristics	18
7.1.1 Carriage Interchangeability	18
7.1.2 LUBE-S Long-term Lubrication from SCHNEEBERGER	18
7.1.3 The Carriage Range	18
7.1.4 Speed and Acceleration	19
7.1.5 High Load Capacities	19
7.1.6 Simple Installation and Maintenance	19
7.1.7 Exceptional Robustness	19
7.1.8 Sophisticated Lubrication Concept	20
7.1.9 Excellent Running Properties	20
7.1.10 Maximum Protection from Contamination	20
7.2 Technical Information and Alternative Variants	22
7.2.1 Performance Parameters of MINIRAIL	22
7.2.2 Reference and Supporting Surfaces	22
7.2.3 Accuracy Classes	23
7.2.4 Running Accuracy	24
7.2.5 Preload Classes	24
7.2.6 Push Force	25
7.2.7 Friction and Smoothness	25
7.2.8 Carriage Uniformity System	25
7.2.9 Rail Length and Hole Spacings	26
7.2.10 Dimension Tables, Load Capacities and Moment Loads for Standard Sized MINIRAIL	28
7.2.11 Dimension Tables, Load Capacities, and Moment Loads, for Wider Width MINIRAIL	30
7.2.12 Lubrication	32

Table of Contents

Page number

8	MINIRAIL Options	33
8.1	LUBE-S (LS) Long-term Lubrication	33
8.2	Multi-Part Guideways for MINIRAIL (ZG)	34
8.3	Push Force Defined (VD)	34
8.4	Height-Matched Carriages (HA)	34
8.5	Customer-Specific Lubrication (KB)	35
8.6	Cleaned and Vacuum-packed (US)	35
9	MINIRAIL Accessories	36
9.1	Plastic Plugs (MNK)	36
9.2	Wipers (AS, AL and OA)	36
9.2.1	Standard	36
9.2.2	Alternatives	36
9.3	Relubrication Set (MNW)	36
10	MINISCALE PLUS Product Overview	37
10.1.	Product Characteristics	38
10.2	Technical Information and Alternative Variants	39
10.2.1	MINISCALE PLUS Performance Parameters	39
10.2.2	MINISCALE PLUS Components and Working Method	40
10.2.3	Signal Processing	42
10.2.4	Reference Marks	44
10.2.5	Interface Module Pin Connections	45
10.2.6	Dimension Tables, Load Capacities, and Moment Loads for Standard Width MINISCALE PLUS	46
10.2.7	Dimension Tables, Load Capacities and Moment Loads for Wider Width MINISCALE PLUS	48
10.2.8	Lubrication	50
11	MINISCALE PLUS Options	51
11.1	Push Force Defined (VD)	51
11.2	Height-matched Carriages (HA)	51
11.3	Customer-specific Lubrication (KB)	51
12	MINISCALE PLUS Accessories	52
12.1	MINISCALE PLUS Counter and Position Indicator	52
12.1.1	1-axis USB Counter 026	52
12.1.2	3-axis USB Counter 046	52
12.1.3	2-axis Position Indicator SIRIUS II	53
12.2	ESD Wrist Strap Set	54
13	MINISLIDE Frictionless Table Product Overview	55
13.1	MINISLIDE MS Product Characteristics	56
13.1.1	Extensive Range	56
13.1.2	Maximum Load Carrying Capacity and Compact Form	56
13.1.3	Integrated Cage Centering Feature	56

	Page number
13 MINISLIDE Frictionless Table Product Overview	55
13.2 MINISLIDE MSQ Product Characteristics	57
13.2.1 Extensive Range	57
13.2.2 High Speed and Acceleration	57
13.2.3 High Process Reliability Thanks to Cage Control	57
13.2.4 Maximum Rigidity and Load Capacities	58
13.3 Technical Information and Alternative Variants	59
13.3.1 MINISLIDE MS Performance Parameters	59
13.3.2 MINISLIDE MSQ Performance Parameters	59
13.3.3 Reference and Supporting Surfaces	60
13.3.4 Running Accuracy and Parallelism of Supporting Surfaces	60
13.3.5 Tolerance of the Total Height	61
13.3.6 Push Force and Preload	61
13.3.7 Friction and Smoothness	61
13.3.8 Dimension Tables, Load Capacities, Weights and Moment Loads	62
13.3.9 Lubrication	68
14 MINISLIDE Options	69
14.1 Push Force Defined (VD)	69
14.2 Customer-specific Lubrication (KB)	69
14.3 Cleaned and Vacuum-packed (US)	69
15 Configuration of the Base Structure	70
15.1 General	70
15.2 Surface Quality	70
15.3 Reference Height and Corner Radii	71
15.4 Geometric and Position Accuracy of the Base Surfaces	72
15.4.1 Permissible Lateral Deviation E_1 for MINIRAIL and MINISCALE PLUS	72
15.4.2 Permissible Longitudinal Deviation E_2 for MINIRAIL and MINISCALE PLUS	73
15.4.3 Flatness of the Mounting Surfaces E_6 and E_7	74
15.4.4 Parallelism Tolerance of the Reference Surfaces for MINIRAIL and MINISCALE PLUS	75
16 Installation and Adjustment Guidelines for MINIRAIL and MINISCALE PLUS	77
16.1 Methods for Aligning Guideways	77
16.2 Installation Methods	78
16.2.1 Load	78
16.2.2 Accuracy	78
16.2.3 Installation Time and Engineering Expense	78
16.2.4 Installation Location and Specifics	78
16.3 Preparing for Installation	80
16.3.1 Required Tools and Equipment	80
16.3.2 Preparing the Reference Surfaces	80
16.3.3 Lubricating MINIRAIL	81
16.3.4 Lubricating MINISCALE PLUS	82
16.4 Installation	82
16.4.1 General	83
16.4.2 MINIRAIL and MINISCALE PLUS	83
16.4.3 MINIRAIL	83
16.5 Tightening Torques for the Fastening Screws	84
16.6 Specific Information on MINISCALE PLUS	84

17	Load Carrying Capacity and Service Life	85
17.1	Principles	85
17.2	Calculation of Service Life in Accordance with the DIN ISO Standard	86
17.2.1	Formula for Calculating Nominal Service Life for Ball Guideways in Meters	86
17.2.2	Formula for Calculating Nominal Service Life in Hours	86
17.2.3	Effective Load Carrying Capacity C_{eff}	86
17.2.4	Dynamically Equivalent Load P	87
18	Handling, Storage and Transport	88
18.1	Delivered Condition (Standard Versions)	88
18.2	Handling and Storage	90
19	Ordering Information	91
19.1	MINIRAIL	91
19.2	MINISCALE PLUS	91
19.3	MINISLIDE MS oder MSQ	91

In 1923, SCHNEEBERGER laid the foundations for the global linear motion technology of today. SCHNEEBERGER innovation made it possible to produce linear guideways, which in terms of load capacity, reliability and cost-effectiveness became what is today the definitive industry standard.

The same principles that resulted in our success still apply today: the spirit of innovation, a no-compromise approach to quality and the ambition to deliver products to our customers that are always technically and economically superior. Both then and now the name SCHNEEBERGER is synonymous with innovative linear motion technology and cost-effective solutions throughout the world. Our development, production and application expertise have given us a reputation as a well-respected business partner. Together with our committed, customer-oriented employees, we are global leaders.

We have developed broad and extensive technological skills from many successful projects in a variety of industries. Together with customers we evaluate the best products from the standard range or define project-specific solutions. Thanks to many years of experience and consistent focus on linear motion technology, we have been able to continuously develop our products and solutions so as to provide our customers with technical advantages.

State-of-the-art production technologies and highly skilled employees at our production facilities produce to the highest quality standards. We are pleased to present our high-precision MINI-X series products in this catalogue. MINI-X includes MINIRAIL, MINISCALE PLUS, and MINISLIDE product lines which are suitable for use in a wide range of applications:

- Biotechnology
- Semiconductor Industry
- Laboratory Automation
- Medical Technology
- Handling and Robotics
- Pick-and-place Machines
- Metrology
- Micro-automation
- Nanotechnology
- Optics Industry
- Processing Machines for Microtechnology

MINI-X enables economical, zero backlash guide systems to be constructed with ease. MINI-X boasts the following outstanding product characteristics:

- High level of smoothness and consistent accuracy
- No stick-slip effect
- High speed and acceleration
- Minimal wear
- High level of strength
- High rigidity
- High load-bearing capacity
- Robustness
- Suitable for use in a vacuum or cleanroom

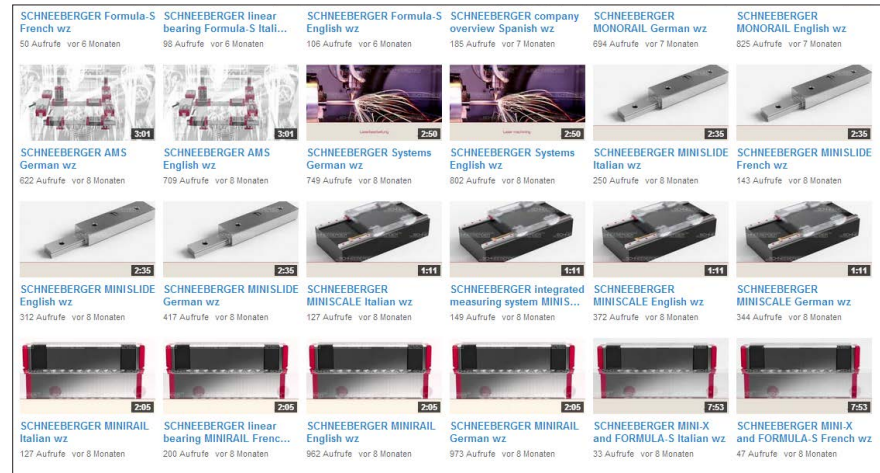
Our skilled and committed employees are pleased to offer product recommendations to assist in optimising your application designs.

SCHNEEBERGER - «Essentials for the Best»

2 Useful Guidelines

2.1 Videos

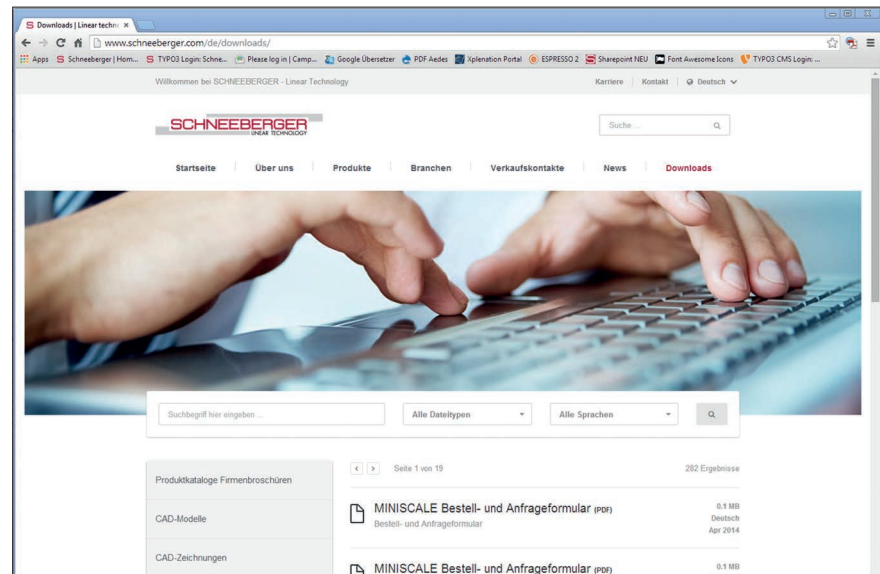
Videos about MINI-X (MINIRAIL, MINISCALE PLUS and MINISLIDE) are available on our website www.schneeberger.com under the respective product group.



2.2 2D and 3D Drawings

Drawings and models are available on the Cadenas Part Server free of charge in all formats.

Additional product information is available from the download section of our website www.schneeberger.com.



Our website www.schneeberger.com

2.3 Regulations Regarding Substances and Limit Values

Schneeberger AG linear engineering abides by legal requirements in its product design and production. The products in this catalogue therefore meet the requirements laid out by RoHs and REACH. Compliance with specific requirements can be confirmed upon request.

2 Useful Guidelines

2.4 Index and Type Designations Assigned to Chapters

A	General	MINIRAIL and MINISCALE	MINISLIDE
2D drawings	2.2		
3D models	2.2		
Acceleration	6.2	7.2.1 / 10.2.1	13.3.1 / 13.3.2
Accessories		9 / 12	
Accuracy	15	7.2.3 / 7.2.4 / 10.2.2	13.3.4
AL		9.2	
Alignment		16.1 / 16.2.3	
Application-specific solutions	5		
Areas of application		7.2.1 / 10.2.1	13.3.1 / 13.3.2
Assembly fixture		18.1	
Assembly surfaces	15		
Attachment hole		7.2.9 / 10.2.6	
AS		9.2	
B			
Ball recirculation		7.1.4 / 7.1.9 / 7.2.1	
Base structure	15		
C			
Cage control			13.2.3
Carriage spacing		8.4 / 17.2	
Carriage uniformity system		7.1.1 / 7.2.8	
Ceramic balls	5		
Cleanroom	6.3	7.2.1 / 10.2.2	13.3.1 / 13.3.2
Coatings	5		
Coefficient of friction		7.2.7	13.3.7
Corner radii	15.3		
Corrosion resistance	6.5		
Counter		12.1	
Customised solutions	5		
D			
Dimensional scale		10.2.1 / 10.2.4	
Dimension table		7.2.10 / 10.2.6	13.3.8
Download	2.2		
Drawings	2.2		
Dry run	5		
E			
Environment	2.3		
ESD		12.2	
F			
Fastening screws	16.4 / 16.5		
Flatness	15.4.3		
Friction		7.2.7	13.3.7
G			
G1	15	7.2.3 / 7.2.4 / 10.2.2	13.3.4
G3	15	7.2.3 / 7.2.4 / 10.2.2	13.3.4
H			
HA		8.4	
Handling	18		

2 Useful Guidelines

H	General	MINIRAIL and MINISCALE	MINISLIDE
Height-matched		8.4 / 11.2	
Height deviation		8.4 / 11.2	15.4
Highlights		7.1 / 10.1	13.1 / 13.2
Hole spacing		7.2.9	
Humidity		7.2.1 / 10.2.1	13.3.1 / 13.3.2
Hybrid guideways	5		
I			
Installation	16		
Installation methods		16.2	
Interface		10.2.2	
Introduction	1		
K			
KB		8.5	14.2
L			
Limited stroke			13.2.3
Limit values	2.3		
Load carrying capacity	17		
Load capacity	17	7.2.10 / 10.2.6	13.3.8
Long-term lubrication		8.1	
Lubrication	5 / 6.1 / 6.6	7.2.12 / 8.1 / 8.5 / 10.2.8 / 11.3 / 16.3.3	13.3.9 / 14.2
LUBE-S		8.1	
M			
Material		7.2.1	13.3.1 / 13.3.2
Measuring system		10	
MINIRAIL		7	
MINISCALE PLUS		10	
MINISLIDE			13
MNN		7.1.3 / 19.1	
MNNS		7.1.3 / 19.1	
MNNX		7.1.3 / 19.1	
MNNXL		7.1.3 / 19.1	
MNW		9.3	
Multi-part guideways		8.2	
Moment loads		7.2.10 / 10.2.6	13.2.4 / 13.3.8
MS			13.1 / 13.3.1
MSQ			13.2 / 13.3.2
O			
OA		9.2	
Oil reservoir		8.1	
Operating voltage		10.2.1	
Options		8 / 11	14
Ordering information	18		
Output signal		10.2.1 / 10.2.3	
Overview		7.1 / 10.1	13.1 / 13.2
P			
Packaging	18		
Parallelism tolerance		15.4.4	
Performance parameters		7.2.1 / 10.2.1	13.3.1 / 13.3.2

2 Useful Guidelines

P	General	MINIRAIL and MINISCALE	MINISLIDE
Pin connections		10.2.5	
Plastic plugs		9.1	
Plugs		9.1	
Position accuracy		15.3	
Positioning signalling		12.1	
Preload		7.2.1 / 7.2.5 / 10.2.1	13.3.1 / 13.3.2 / 13.3.6
Preload classes		7.2.1 / 7.2.5 / 10.2.1	
Pulsation		7.1.9	
Push force		7.2.6 / 8.3 / 11.1	13.3.6 / 14.1
R			
Rail spacing		15.3.1	
Rail lengths		7.2.9	
REACH	2.3		
Reference mark		10.2.4	
Reference surfaces	15		
Reference track		10.2.4	
Regulations	2.3		
Relubrication set		9.3	
Repeatability		10.2.1	
Replaceability		7.1.1 / 7.2.8	
Resolution		10.2.1	
Requirements	6		
RoHS	2.3		
Running accuracy		7.2.3 / 7.2.4	13.3.4
S			
SC		19.2	
SCA		19.2	
SCD		19.2	
Sealing		9.2	
Service life	6.6 / 17	7.2.5 / 8.1 / 15.3.4	
Service life calculation	17		
Short stroke	6.6		
Signal processing		10.2.3	
Smoothness	3	7.2.7	
Source format		10.2.1	
Speeds	6.2	7.2.1 / 10.2.1	13.3.1 / 13.3.2
Special solutions	5		
Specifications		7.2 / 10.2	13.3
Supporting surfaces		7.2.2	14.3.3
Surface quality	15.2		
Surrounding structure	15		
T			
Technical data		7.2 / 10.2	13.3
Temperatures	6.1	7.2.1 / 10.2.1	13.3.1 / 13.3.2
T			
Terms of use	6		
Tightening torques	16.5		
Tracks		7.1.5	13.2.4

2 Useful Guidelines

U	General	MINIRAIL and MINISCALE	MINISLIDE
US		8.6	
Use		7.1 / 10.1	13.1 / 13.2
V			
V0		7.2.1 / 7.2.5	
V1		7.2.1 / 7.2.5	
Vacuum		6.4 / 6.5 / 7.2.1 / 8.6 / 9.2.2 / 10.2.1	13.3.1 / 13.3.2
VD		8.3 / 14.1	
Videos	2.1		
W			
Website	2		
Wipers		7.2.1 / 9.2	
Wrist strap		12.2	
Z			
ZG		8.2	

2.5 Unit Names

Name	Description	Unit
a	Event probability	Factor
C	Dynamic load capacity	N
C ₀	Static load capacity	N
C ₁₀₀	Dynamic load capacity for a 100,000 m travel distance	N
C ₅₀	Dynamic load capacity for a 50,000 m travel distance	N
C _{eff}	Effective load carrying capacity per rolling element	N
f _k	Contact factor	Factor
H	Stroke	mm
K	Spacing between two carriages	mm
L	Length	mm
L	Nominal service life	m
L ₁ ... L ₂ ...	Partial lengths	mm
L _b	Carriage spacing	mm
L _h	Nominal service life	h
M	Moment load longitudinally and laterally	Nm
M _{ds}	Tightening torque	Ncm
M _L	Permissible moment load longitudinally and laterally	Nm
M _{oL}	Permissible longitudinal static torque	Nm
M _{oQ}	Permissible lateral static torque	Nm
M _Q	Permissible lateral moment load	Nm
n	Stroke frequency	min ⁻¹
P	Dynamically equivalent load	N
Q	Spacing of the guide rails	mm
V _m	Medium travelling speed	m/min
V _{vsp}	Preload factor	Factor

3 MINI-X Overview

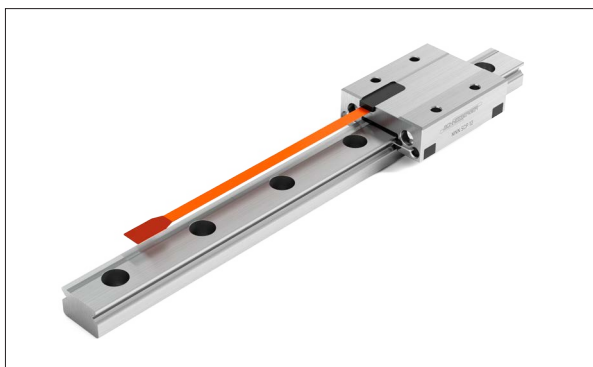
MINI-X embodies the newest generation of miniature guideways for demanding applications. They are extremely robust and prove themselves in every application with their high level of smoothness, precision and reliability.



MINIRAIL

MINIRAIL The miniature profiled linear guideway

- Process reliability thanks to superior design
- Speeds up to 5 m/s and acceleration up to 300 m/s²
- The precisely finished carriages can be interchanged as desired
- Low risk of contamination thanks to tight clearance between the carriage and guideway
- Low travel pulsation thanks to optimally shaped ball recirculation
- Vacuum-compatible down to 10⁻⁷ mbar (10⁻⁹ mbar on request)
- The long-term lubrication LUBE-S option enables maintenance-free operation
- Unlimited rail length



MINISCALE PLUS

MINISCALE PLUS Guiding and measuring in one

- Due to the fact that the measuring system requires very little space, very compact designs can be implemented
- Simple installation since the distance measurement does not need calibration
- Additional components and their installation are not necessary
- Optimal thermal connection to the machine bed
- Global drive compatibility



MINISLIDE MS

MINISLIDE MS Maximum performance, minimum space

- The Gothic arc profile of the guideways allows for load capacities which are up to 15 times higher than that of a 90° V-profile
- MINISLIDE MS enables compact and robust constructions with minimal weight
- The material used and the outstanding design allow for a high level of rigidity
- Vacuum-compatible down to 10⁻⁷ mbar
- Cage centring system



MINISLIDE MSQ

MINISLIDE MSQ Productivity encapsulated

- Maximum process reliability thanks to integrated cage control
- The snug, two-row profile of the guideways allows high load capacities, and because of the materials used, unrivalled rigidity
- MINISLIDE MSQ enables compact and robust constructions with minimal weight
- Vacuum-compatible down to 10⁻⁹ mbar

4 Applications

MINI-X is used in situations where high precision and process reliability are needed due to constricted space. The unique advantages of MINI-X come into their own in the following applications:

- Processing machines for the micro-sector
- Biotechnology
- Semiconductor industry
- Laboratory automation
- Medical technology
- Metrology
- Micro-automation
- Nanotechnology
- Optics industry
- Robotics

Modern microscopes are indispensable in research and in day-to-day medical processes. In order to analyze the samples quickly and accurately, the slide underneath the lens has always been moved by means of a cross table.



Microscope with Scan Table by OBJECTIVE IMAGINE



The OASIS Glide-S2 Scan Table from OBJECTIVE IMAGINE is based on MINIRAIL and MINISCALE PLUS; the drive is provided by QUICKSHAFT® linear motors. Using these compact components reduces the weight compared with conventional constructions (ball screws and multiphase motors) by a factor of around five. The OASIS Glide-S2 is not only fast but also decidedly quiet. Precision in the smallest area - reproducible with an accuracy of several microns.

4 Applications

Use of MINISLIDE

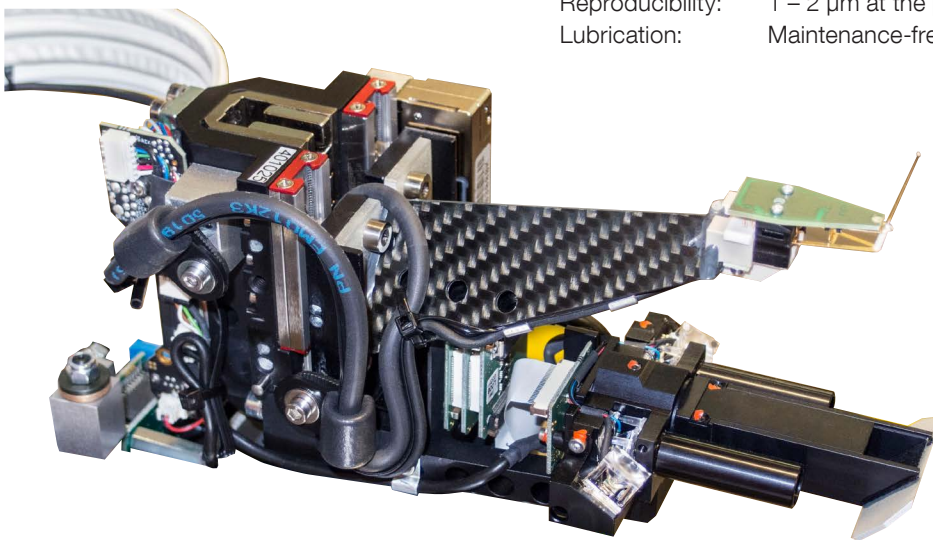
The precision and speed of flying probe testers are extremely important for the electrical testing of structures measuring just 50 µm or less. The high acceleration in particular must not affect the contact accuracy of the test design.

atg Luther & Maelzer offers different machine configurations for a multitude of products. An extremely wide range of materials and designs, including rigid and flexible PCBs and everything from IC packages to touch panels, can be tested with the latest machine generation.



The type A7 flying probe test system from atg Luther & Maelzer

Acceleration:	30 g
Working stroke:	1 – 2 mm
Total stroke:	10 – 15 mm
Reproducibility:	1 – 2 µm at the point of work
Lubrication:	Maintenance-free after initial lubrication



Test head with modified MINISLIDE MSQ 7 40.32

5 Customized Solutions

SCHNEEBERGER's many years of experience in linear motion technology have influenced the concept and design of MINI-X. Due to their outstanding performance parameters, MINI-X plays a decisive role in the accuracy of every application.

MINI-X are universally applicable. SCHNEEBERGER offers configurations upon request for application-specific requirements, including:

- Defined push forces
- Application-specific lubrication
- Special packaging
- Hybrid guideways with ceramic ball bearings
- Coatings for dry runs
- Customer-specific design
- Defined cage reset force
- Defined records



Installation in SCHNEEBERGER's cleanroom

Examples of customer-specific MINI-X products

MINIRAIL with vented holes in carriages and guideways, vacuum-packed for use in cleanrooms.



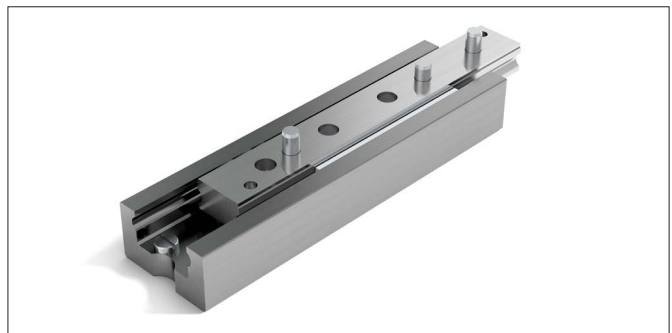
MINIRAIL modified according to the requirements of the customer

MINISLIDE MSQ finished specifically to the customer's needs.



MINISLIDE MSQ finished according to the requirements of the customer

MINISLIDE MS with ceramic ball bearings, additional holes and positioning pins. Push and cage reset forces are defined and recorded.



MINISLIDE MS modified and specified according to the requirements of the customer

6 Special Requirements

6.1 Temperature Range

MINI-X can be operated in different temperature ranges. SCHNEEBERGER can deliver guideways with application-specific lubricants on request.

	Operating temperature
MINIRAIL	-40° C to + 80° C (higher temperatures on request)
MINISCALE PLUS	-40° C to + 80° C
MINISLIDE MS	-40° C to + 80° C
MINISLIDE MSQ	-40° C to + 150° C

6.2 Speeds and Acceleration

MINI-X are equipped for the following speeds and acceleration:

	max. speed	max. acceleration
MINIRAIL	5 m/s	300 m/s ²
MINISCALE PLUS	5 m/s	300 m/s ²
MINISLIDE MS	1 m/s	50 m/s ²
MINISLIDE MSQ	3 m/s	300 m/s ²

6.3 Cleanroom

In the cleanroom, it is necessary to reduce the number of particles as well as apply appropriate types of lubricating grease. SCHNEEBERGER delivers guideways for cleanroom classes up to ISO 6 on request. The guideways are packaged appropriately and lubricated according to requirements.

6.4 Vacuum

Corrosion resistant guideways are preferred for use in a vacuum. It is also necessary to avoid out-gassing of plastics, to ensure vented of attachment holes and to use an appropriate lubricant.

On request, SCHNEEBERGER can deliver the guideways packaged in a cleanroom and lubricated according to requirements.

	Vacuum ranges for standard MINI-X products:
MINIRAIL	10 ⁻⁷ mbar (HV). 10 ⁻⁹ mbar (UHV) on request. The values apply without wipers
MINISCALE PLUS	On request
MINISLIDE MS	10 ⁻⁷ mbar (HV)
MINISLIDE MSQ	10 ⁻⁹ mbar (UHV)

Notes: the suitability for a vacuum depends on the materials used.

6 Special Requirements

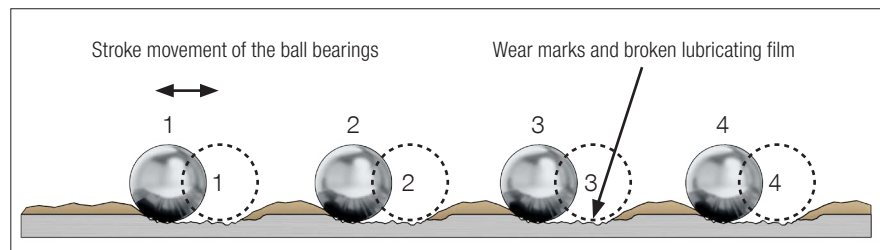
6.5 Corrosion Resistance

Corrosion protection is not just required in a cleanroom or vacuum. Medical, laboratory or food applications demand corrosion-resistant steel, as used in all MINI-X products.

6.6 Short Strokes

The effects of short strokes include point compression along the tracks and inadequate lubrication. As a result, short strokes reduce the service life of the guideway. This can only be reliably determined by means of experimentation.

6.6.1 Short Strokes with MINISLIDE

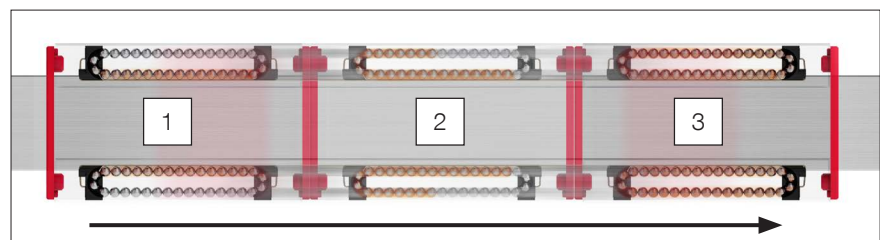


The stroke length of the guideway is so low that the rolling elements cannot pass the position of the next rolling element. As a result, local wear marks form on the tracks. Overstraining the tracks with short strokes leads to material damage which inevitably leads to the loss of preload. The accuracy of the guideway can consequently be reduced which can lead to premature failure.

Additionally, high-frequency strokes can break the lubricating film, further exacerbating wear. With suitable lubricants and regular strokes along the entire stroke length, better lubrication can be achieved, delaying the effects of material wear.

6.6.2 Short Strokes with MINIRAIL and MINISCALE PLUS

In the starting position (1), only the ball bearings directly under load are lubricated. Once the carriage moves to the right (2), a section of the ball bearings takes up the lubricant via the guideway. Only once position 3 has been reached will all of the ball bearings and all four corners of the ball recirculation be lubricated.



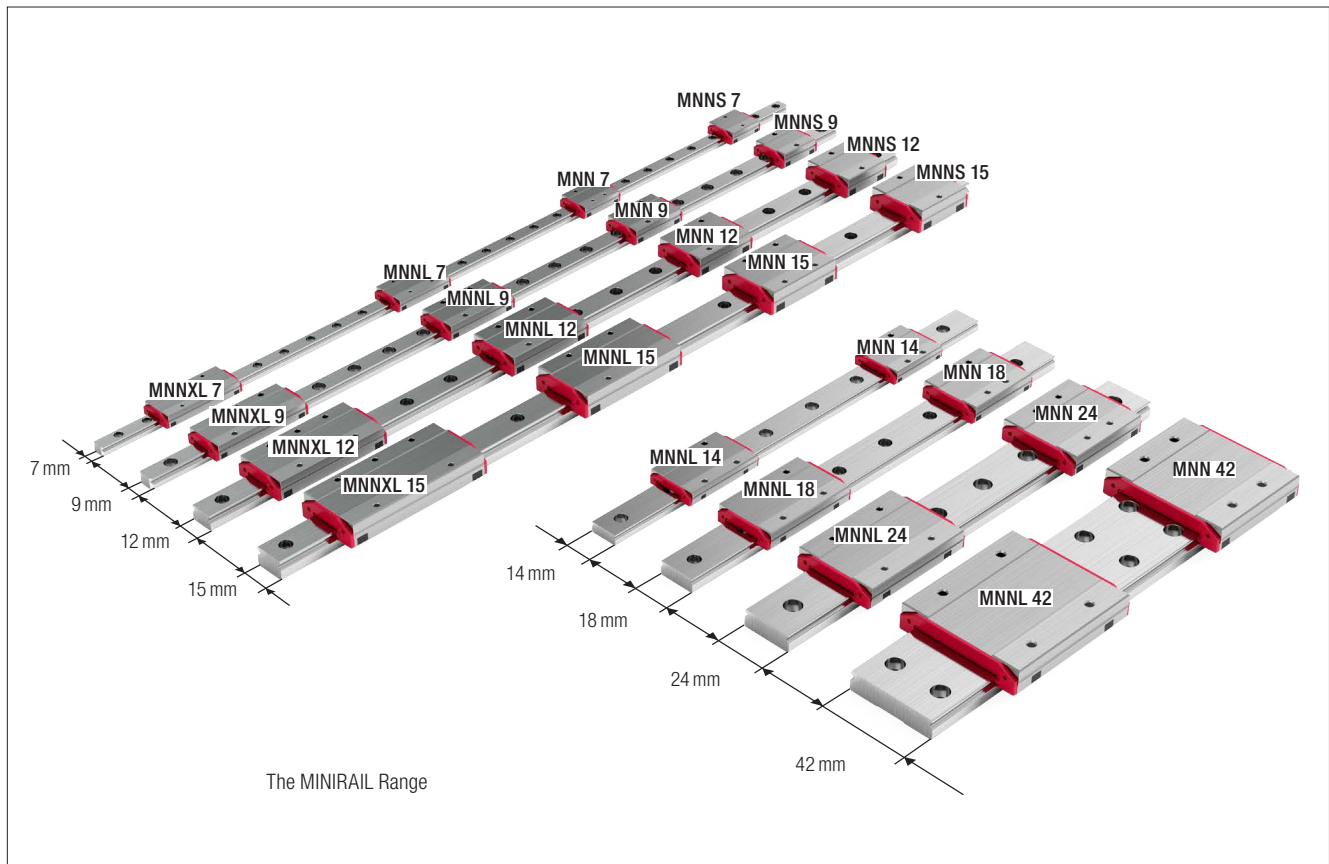
A short stroke is when the stroke of the carriage corresponds to less than twice its length. This can lead to damage, particularly in the redirection unit. Regular lubricating strokes along the entire stroke length at a minimum of twice the length of the carriage ensure better lubricant distribution, protecting the guideway from premature wear.

We recommend using LUBE-S long-term lubrication for short strokes. (see chapter 8.1).

7 MINIRAIL Product Overview

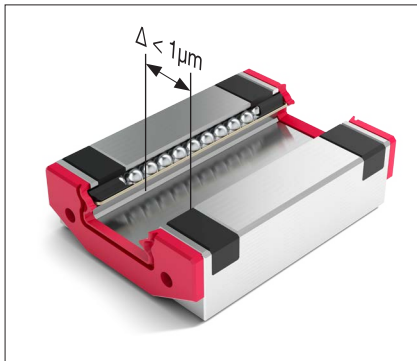
MINIRAIL are highly accurate miniature profiled linear guideways with ball bearings. Their precision, robustness, innovative design and strength are second to none.

The range includes the standard rail widths of 7, 9, 12 and 15 as well as wider widths of 14, 18, 24 and 42. The carriages are available in four lengths: MNNS (short), MNN (standard), MNNL (long) and MNNXL (extra long).



7 MINIRAIL Product Overview

7.1 Product Characteristics



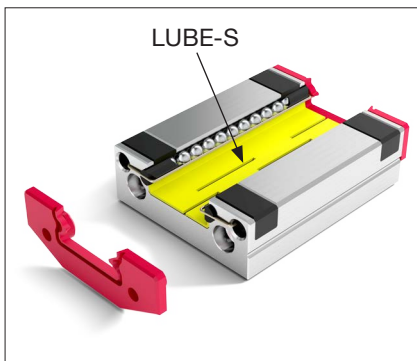
Carriage uniformity system

7.1.1 Carriage Interchangeability

Because the carriages are made to precisely the same size, they can be switched for other carriages at will (carriage uniformity system). This simplifies storage and maintenance considerably.

Note:

The MINISCALE PLUS carriages and guideways are always matched to each other and are therefore delivered as a set (carriage mounted on rails) - (see chapter 18.1).



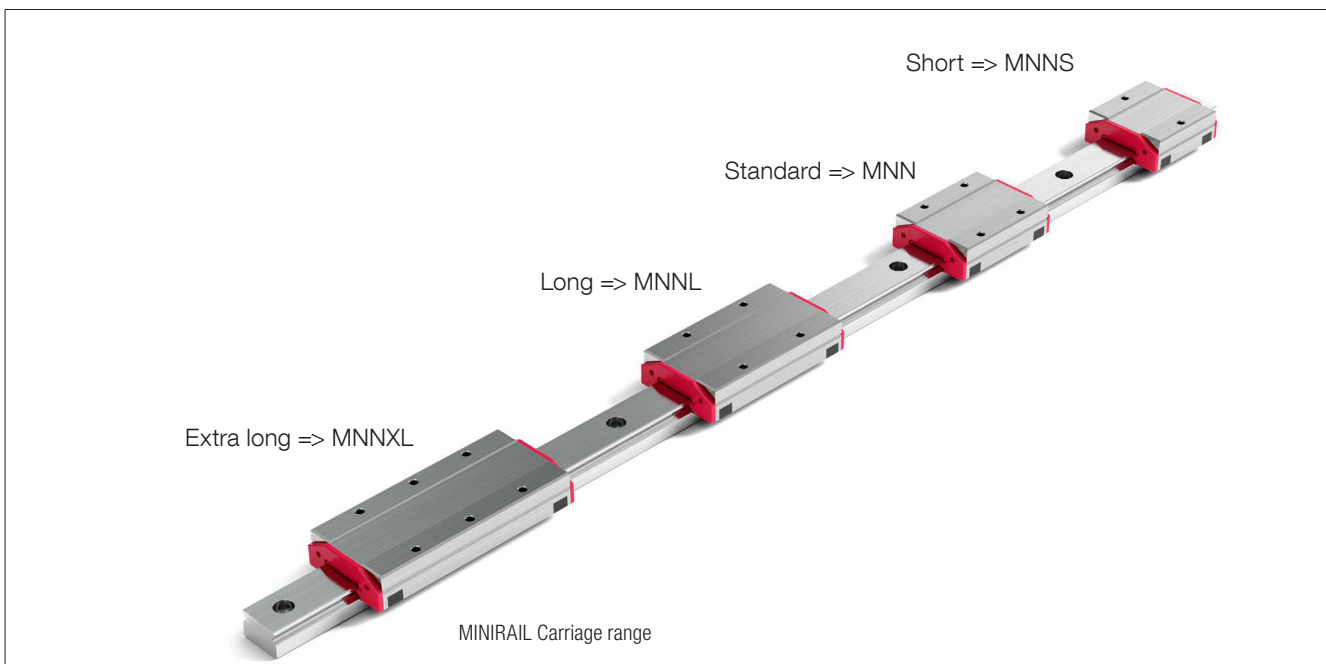
LUBE-S long-term lubrication

7.1.2 LUBE-S Long-term Lubrication from SCHNEEBERGER

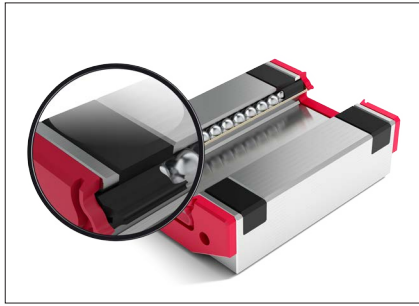
The SCHNEEBERGER solution for long-term lubrication LUBE-S is described in detail in chapter 8.1. LUBE-S enables maintenance-free operation for up to 20,000 km, requires no extra space and is good for the environment and short stroke applications.

7.1.3 The Carriage Range

The different carriage lengths from short to extra long, along with the corresponding load capacities, allow greater flexibility when designing axes of motion.



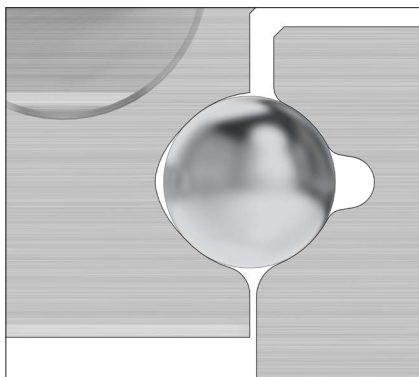
7 MINIRAIL Product Overview



Enlargement of ball recirculation in the carriages

7.1.4 Speed and Acceleration

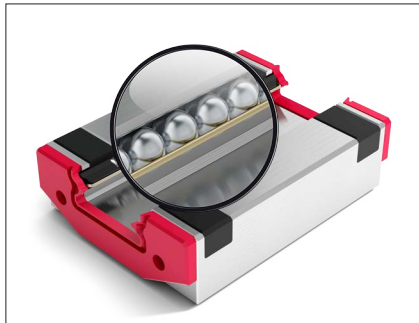
The innovative embedding of ball recirculation in the carriage allows speeds of up to 5 m/s and accelerations of up to 300 m/s².



Gothic arc profile of the guideway tracks

7.1.5 High Load Capacities

The Gothic arc profile of the guideway tracks allows high load capacities.



Retaining wire holding the balls in place

7.1.6 Simple Installation and Maintenance

Whether a carriage is moving along the guideways or being prepared for installation, the ball bearings are always held in place by a retaining wire. This makes for easier handling and is a prerequisite for simple installation and replacement carriages.

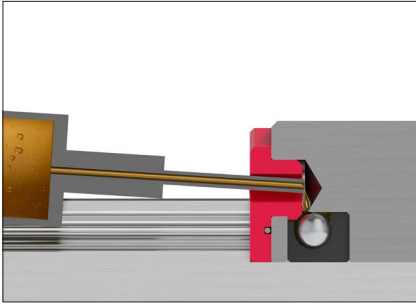


Made of corrosion-resistant, through-hardened steel

7.1.7 Exceptional Robustness

Carriages and guideways are made of through-hardened stainless steel. They are therefore superbly suited for use in the most demanding of applications.

7 MINIRAIL Product Overview



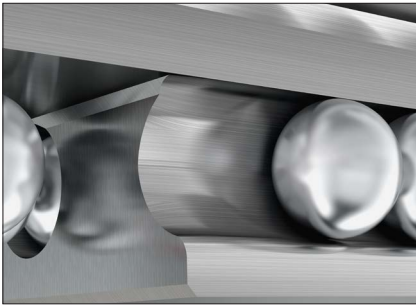
MINIRAIL lubrication with oil

7.1.8 Sophisticated Lubrication Concept

MINIRAIL are delivered unlubricated as standard, allowing you to decide on the optimal lubrication for the respective application (see chapter 7.2.12 «Lubricating MINIRAIL»).

Each wiper on the carriages features two lubrication holes so that the left and right ball recirculation pathways can be lubricated with oil separately. This ensures that the tracks of the carriage can be supplied with lubricant independent of their installation orientation.

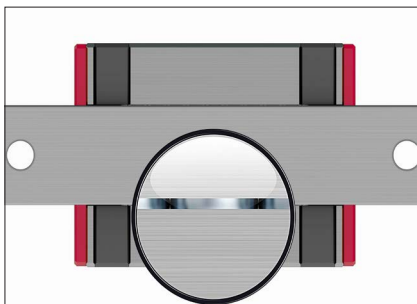
Also consider the long-term lubrication option LUBE-S in chapter 8.1.



Polished run-ins

7.1.9 Excellent Running Properties

The ball recirculation, transitions and run-ins on the carriages are designed for consistent redirection of the ball bearings. They ensure optimal containment of the enormous centrifugal forces involved with minimal friction.

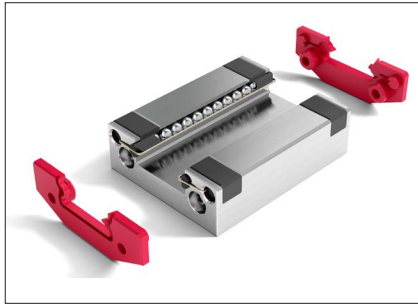


Small clearances between carriages and guideways

7.1.10 Maximum Protection from Contamination

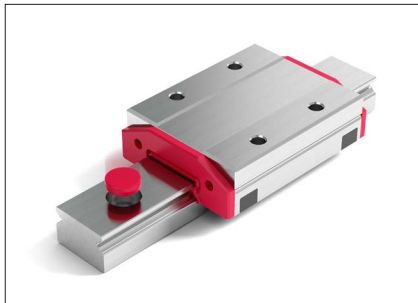
The ultra-precise manufacturing of the carriages and guideways ensures minimal clearance between them. This prevents the migration of dirt particles into carriages.

7 MINIRAIL Product Overview



Detachable wipers

The carriages are fitted with profiled wipers as standard. They are snap-fitted into place and can therefore be easily replaced. Alternative variants (for example low-friction or clearance wipers) are described in chapter 9.2.



Plastic plugs for sealing

In order to prevent the accumulation of dirt, the attachment holes in the guideways can be sealed with plastic plugs (see chapter 9.1).

7 MINIRAIL Product Overview

7.2 Technical Information and Alternative Variants

7.2.1 MINIRAIL Performance Parameters

Max. acceleration	300 m/s ²
Max. speed	5 m/s
Preload classes	V0 light preload up to 0.01 C (C = dynamic load capacity)
	V1 Preload 0 to 0.03 C (C = dynamic load capacity)
Accuracy classes	G1 and G3
Materials	
- guideways, carriages, ball bearings	Stainless steel, through-hardened
- wiper ⁽²⁾	TPC
- ball recirculation	POM
Areas of application	
- temperature range ⁽¹⁾	-40° C to +80° C (-40° F to +176° F)
- vacuum ⁽²⁾	vacuum (max. 10 ⁻⁷ mbar)
- humidity	10 % – 70 % (non-condensing)
- cleanroom	Cleanroom class ISO 7 or ISO 6 (in accordance with ISO 14644-1)

⁽¹⁾ With modified ball recirculation made of PEEK, temperatures up to +150° C (+302° F) are possible (on request). The standard lubricant covers a temperature range from -20° C to +100° C. SCHNEEBERGER also accepts requests for lubricants for other temperatures.

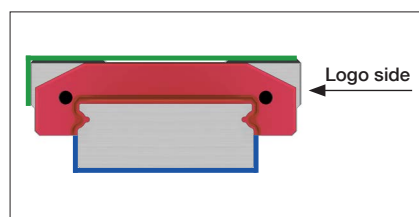
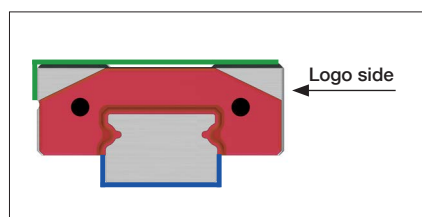
⁽²⁾ For use in high vacuum, the wipers on the carriages must be removed. MINIRAIL with modified ball recirculation made of PEEK can also be operated in a vacuum (up to 10⁻⁹ mbar) on request. Use in a vacuum requires a special lubricant available from SCHNEEBERGER. So that no air remains trapped in the blind holes, the fastening screws must be vented.

7.2.2 Reference and Supporting Surfaces

The reference and supporting surfaces of carriages and guideways are designated as follows.

Standard sizes 7, 9, 12 and 15

Wider widths 14, 18, 24 and 42



- Carriage reference and supporting surfaces
- Guideway reference and supporting surfaces

The polished reference side of the carriage is opposite the carriage side with the company logo / type designation. Either side of the guideway can be used as a reference side.

7 MINIRAIL Product Overview

7.2.3 Accuracy Classes

MINIRAIL carriages and guide rails are made to a high precision independently of each other. The carriages are interchangeable. This means that any carriage of the same size and accuracy class can be used on the guide rails without influencing the preload class.

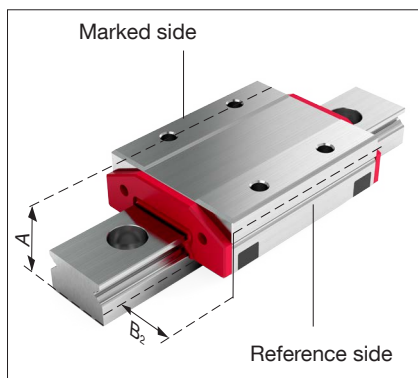
MINISCALE PLUS carriages and guide rails are also made to a high precision. Due to the integrated linear encoder, the carriage and guideway are matched together and therefore can only be changed as a set.

Both G1 and G3 accuracy classes offer a precise MINIRAIL range suited to the application-specific needs of the customer. The accuracy classes determine the size tolerances and the running accuracy of the carriages on the guideways:

High accuracy G1
Standard accuracy G3

Note:

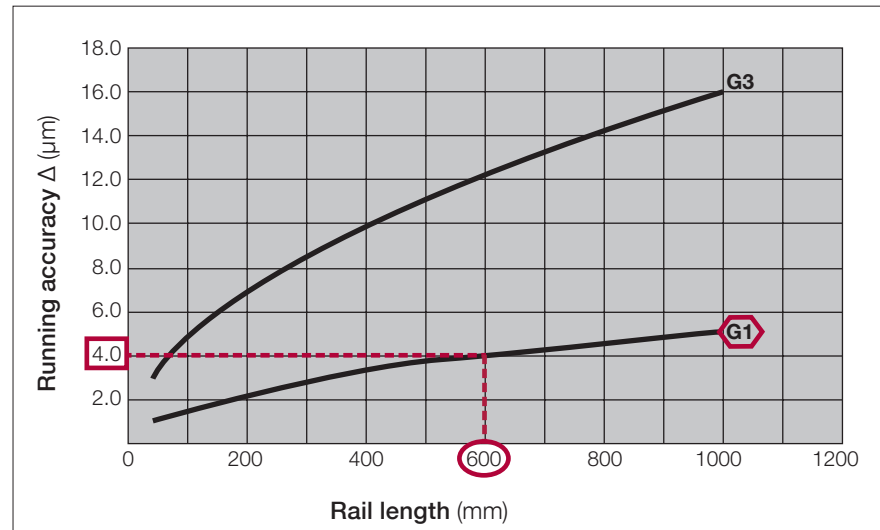
MINIRAIL are available in accuracy classes G1 and G3
MINISCALE PLUS are always delivered in accuracy class G1.



Tolerances		
A and B2	ΔA and $\Delta B2$	
Accuracy class G1	+/- 10 μm	7 μm
Accuracy class G3	+/- 20 μm	15 μm
Measured relative to carriage centre	Difference in measurement between several carriages on the same position on the rails	
For the measurements mentioned above, the guideway is mounted on a flat surface. Measurement is taken from the middle of the carriage. Since the measurement is stable, it is based on the midpoint of the two supporting surfaces		

7.2.4 Running Accuracy

In terms of tolerances, the running of the carriage on a guideway can take on either a linear or wave-like shape. The maximum permissible deviation is limited by the accuracy class of the guideway. As shown on the following diagram, the tolerance is determined by the rail length and by accuracy class G1 or G3.



Example according to the diagram:

A rail length of 600 mm and accuracy class G1 results in a maximum permissible deviation of 4.0 µm

7.2.5 Preload Classes

The preload classes are defined as a fraction of the dynamic load capacity C (see chapter 17). The amount of preload is generally based on the intended use of the guideways.

- An increased preload ...
- ... increases the rigidity
- ... increases the displacement resistance
- ... reduces the service life

Preload class	Preload	corresponding accuracy class
V0	light preload up to 0.01 • C	G3
V1	0 to 0.03 • C	G1 or G3

7.2.6 Push Force

The push force of the carriage is influenced by the preload class, the lubricant and the wipers used.

The carriages can be delivered with a defined push force on request (see chapter 8.3).

7.2.7 Friction and Smoothness

SCHNEEBERGER places high emphasis on running smoothness during the manufacturing process. Transitions, run-ins and run-outs and the quality of the plastics are given top priority. This also applies in respect of the rolling elements used, which must satisfy the most stringent quality demands. Under normal operating conditions, a coefficient of friction of 0.005 can be expected (without wipers).

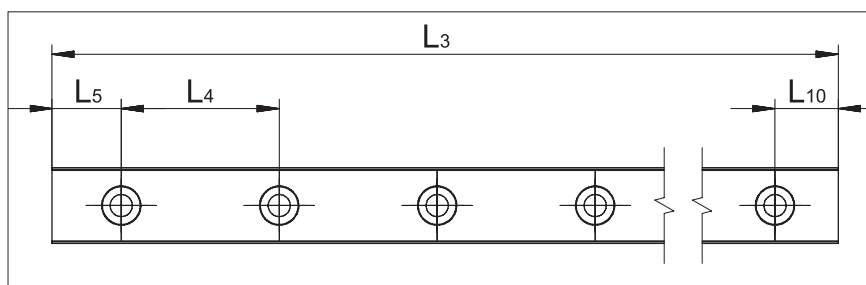
7.2.8 Carriage Uniformity System

The MINIRAIL carriages are interchangeable within preload and accuracy classes. With this in mind, guideways and carriages are packaged separately (see chapter 18.1). This simplifies interchangeability and storage.

7 MINIRAIL Product Overview

7.2.9 Rail Length and Hole Spacings

Sizes	L ₄	L ₅ and L ₁₀	Rail lengths L ₃ max.
7	15	5	40, 55, 70, 851000
9	20	7.5	55, 75, 95, 115 995
12	25	10	70, 95, 120, 145 995
15	40	15	70, 110, 150, 190 990
14	30	10	80, 110, 140, 170 980
18	30	10	80, 110, 140, 170 990
24	40	15	110, 150, 190, 230 990
42	40	15	110, 150, 190, 230 990



L₃ = standard rail lengths in mm
L₄, L₅, L₁₀ = standard hole spacings in mm

Calculating rail lengths that do not correspond to the standard

Individual rail lengths can be calculated with the following formula (up to a maximum rail length according to the above table):

$$L_3 = (n-1) \cdot L_4 + L_5 + L_{10}$$

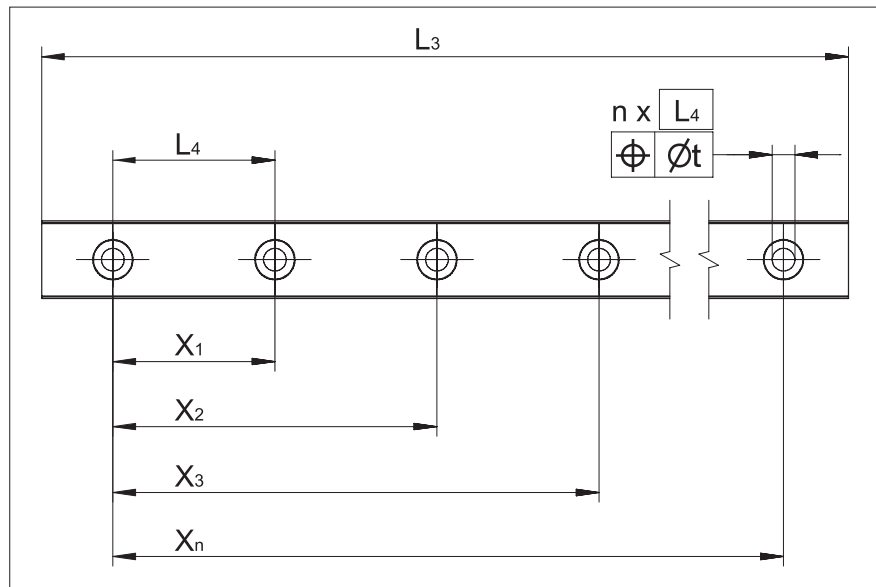
L₃ = rail length in mm
L₄, L₅, L₁₀ = individual hole spacing in mm
L₄ = standard hole spacings in mm
n = number of attachment holes

For hole spacings L₅ and L₁₀, the following values are applicable:

		Rail length							
		7	9	12	15	14	18	24	42
L ₅ and L ₁₀ (in mm)	min.	4	5	5	5	5	5	6	6
	max.	11	15	20	35	25	25	34	34

7 MINIRAIL Product Overview

Position tolerance of the attachment holes and tolerances of the rail length

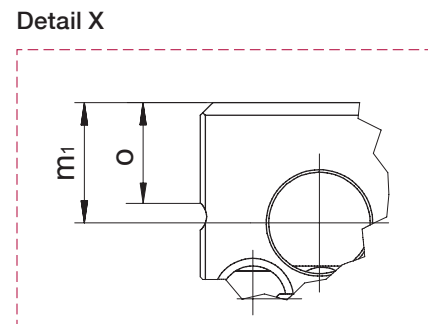
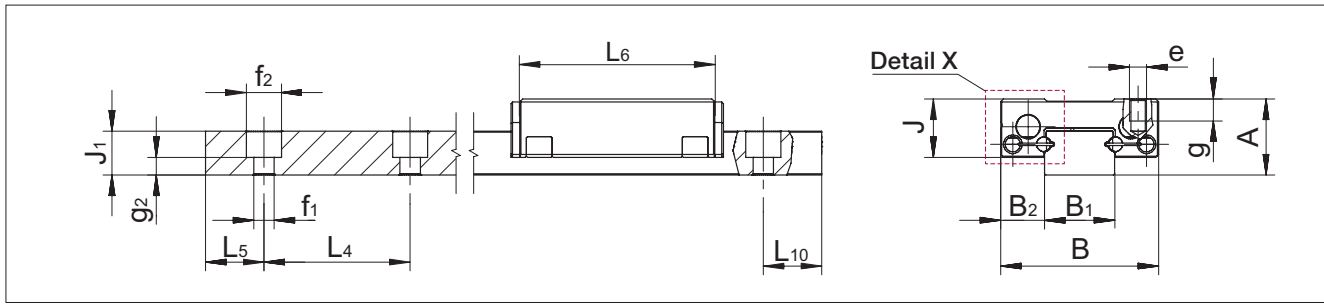


L_3 = rail length in mm
 L_4 = hole spacing in mm
 n = number of attachment holes
 t = position tolerance in mm

	$L_3 \leq 300$ mm	$L_3 > 300$ mm
Position tolerance t of the attachment hole	0.3	$0.001 \cdot X_n$
Tolerance of the rail length L_3	± 0.3	$\pm 0.001 \cdot L_3$

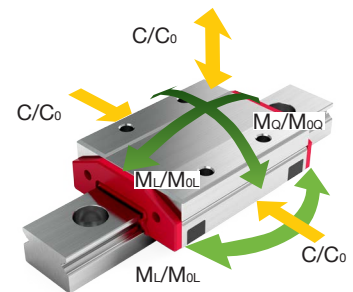
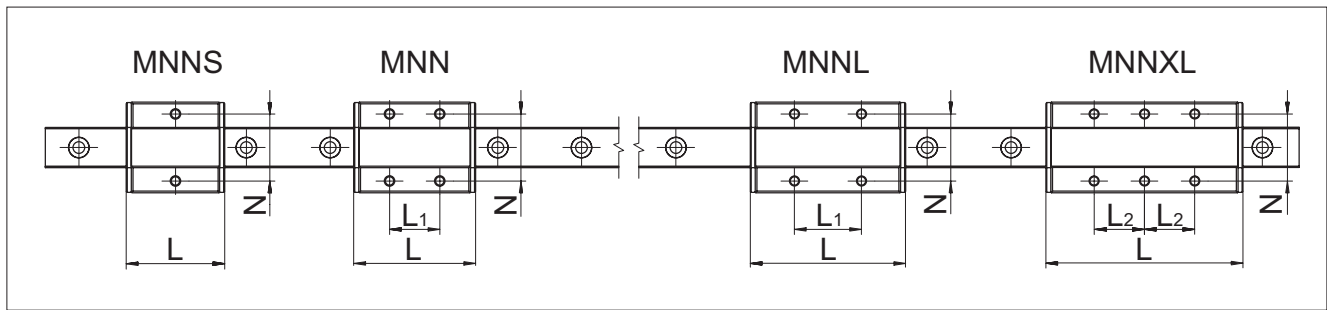
7 MINIRAIL Product Overview

7.2.10 Dimension Tables, Load Capacities and Moment Loads for Standard Sized MINIRAIL



Name		Standard size 7				Standard size 9					
		Guideway	MINNS	MNN	MNNL	MNNXL	Guideway	MINNS	MNN	MNNL	MNNXL
Dimensions (mm)	A	8				10					
	B	17				20					
	B ₁	7				9					
	B ₂	5				5.5					
	J	6.5				8					
	J ₁	4.5				5.5					
	L	18.6 24.6 32.1 41.1				22 32 40 50					
	L ₁	- 8 13 20				- 10 16 26					
	L ₂	- - - 10				- - - 13					
	L ₄	15				20					
	L ₅ /L ₁₀	5				7.5					
	L ₆	16.1 22.1 29.6 38.6				19 29 37 47					
	N	12				15					
	e	M2				M3					
	f ₁	2.4				3.5					
	f ₂	4.2				6					
g	2.5				3						
g ₂	2.2				2						
m ₁	3.1				3.8						
o	2.5				3.1						
Load capacity (N)	C ₀	935	1560	2340	3275	1385	2770	3880	5270		
	C	645	925	1230	1550	1040	1690	2140	2645		
Torque (Nm)	M ₀₀	3.4	5.6	8.4	11.8	6.5	12.9	18.1	24.5		
	M _{0L}	1.6	4.3	9.3	18	2.8	10.2	19.4	35.1		
	M ₀	2.3	3.3	4.4	5.6	4.8	7.9	9.9	12.3		
	M _L	1.1	2.5	4.9	8.5	2.1	6.2	10.7	17.6		
Weights guideway (g/m), carriage (g)		216	9	13	18	23	309	16	24	31	40

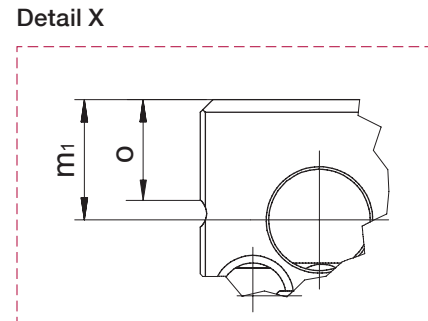
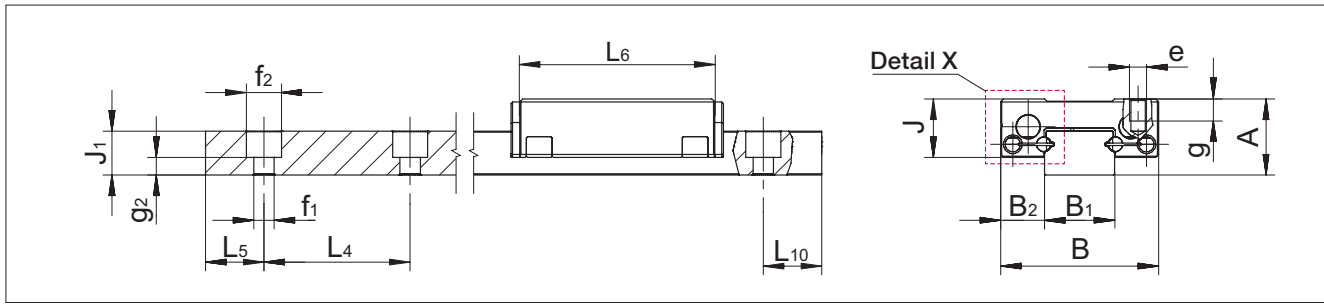
7 MINIRAIL Product Overview



		Name	Standard size 12				Standard size 15					
			Guideway	MNNS	MNN	MNNL	MNNXL	Guideway	MNNS	MNN	MNNL	MNNXL
Dimensions (mm)	A	System height	13				16					
	B	System width	27				32					
	B ₁	Rail width	12					15				
	B ₂	Distance between reference surfaces	7.5				8.5					
	J	Carriage height	10				12					
	J ₁	Rail height	7.5					9.5				
	L	Carriage length with wipers		23.9	36.4	46.4	58.9		31.7	43.7	58.7	73.7
	L ₁	Longitudinal spacing of attachment holes		-	15	20	30		-	20	25	40
	L ₂	Longitudinal spacing of attachment holes		-	-	-	15		-	-	-	20
	L ₄	Spacing of attachment holes	25					40				
	L _{5/L₁₀}	Position of first and last attachment hole	10					15				
	L ₆	Carriage length (steel body)		20.9	33.4	43.4	55.9		28.7	40.7	55.7	70.7
	N	Lateral attachment hole spacing		20					25			
	e	Thread		M3					M3			
	f ₁	Hole diameter	3.5					3.5				
	f ₂	Countersink diameter	6					6				
	g	Thread depth		3.5					4			
g ₂	Step drilling height	3					5					
m ₁	Position of lubrication holes		4.75					5.55				
o	Reference face height		3.9					4.9				
Load capacity (N)	C ₀	Static load capacity	1735	3900	5630	7800	3120	5620	8740	11855		
	C	Dynamic load capacity	1420	2510	3240	4070	2435	3680	5000	6200		
Torque (Nm)	M _{0o}	Permissible lateral static torque	10.6	23.8	34.4	47.6	23.7	42.7	66.4	90.1		
	M _{0L}	Permissible longitudinal static torque	3.6	16.3	32.9	61.8	9.4	28.1	65.5	118.6		
	M _o	Permissible lateral dynamic torque	8.7	15.3	19.8	24.8	18.5	27.9	38.1	47.1		
	M _L	Permissible longitudinal dynamic torque	3	10.4	18.9	32.2	7.3	18.4	37.6	62		
Weights guideway (g/m), carriage (g)			598	29	47	63	81	996	56	81	114	146

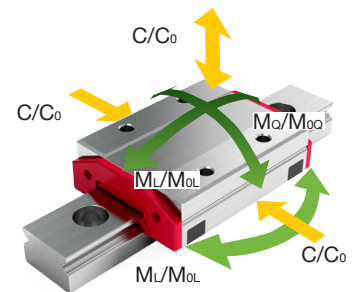
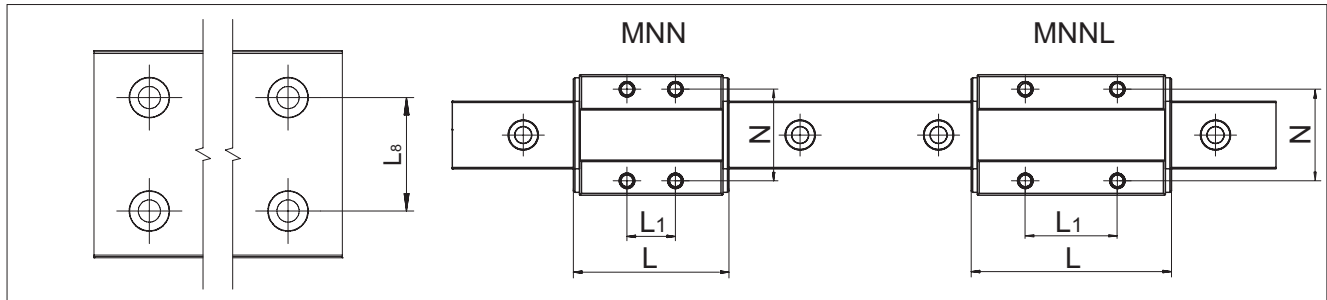
7 MINIRAIL Product Overview

7.2.11 Dimension Tables, Load Capacities, and Moment Loads, for Wider Width MINIRAIL



Name		Wider width 14			Wider width 18		
		Guideway	MNN	MNNL	Guideway	MNN	MNNL
Dimensions (mm)	A	System height		9		12	
	B	System width		25		30	
	B ₁	14	Rail width		18	30	
	B ₂	Distance between reference surfaces		5.5		6	
	J	Carriage height		6.8		8.5	
	J ₁	5.2	Rail height		7	8.5	
	L	Carriage length with wipers		32.1	41.1	40	50
	L ₁	Longitudinal spacing of attachment holes		10	19	12	24
	L ₂	Longitudinal spacing of attachment holes		-	-	-	-
	L ₄	30	Spacing of attachment holes		30	30	
	L ₅ /L ₁₀	10	Position of first and last attachment hole		10	10	
	L ₆	Carriage length (steel body)		29.6	38.6	37	47
	L ₈	Lateral attachment hole spacing		-		-	
	N	Lateral attachment hole spacing		19		21	
	e	Thread		M3		M3	
	f ₁	3.5	Hole diameter		3.5	3.5	
	f ₂	6	Countersink diameter		6	6	
	g	Thread depth		2.8		3	
g ₂	2	Step drilling height		2.5	2.5		
m ₁	Position of lubrication holes		3.3		4.3		
o	Reference face height		2.2		3.1		
Load capacity (N)	C ₀	Static load capacity		2340	3275	3880	5270
	C	Dynamic load capacity		1230	1550	2140	2645
Torque (Nm)	M _{0L}	Permissible lateral static torque		16.6	23.3	35.5	48.2
	M _{0L}	Permissible longitudinal static torque		9.3	18	19.4	35.1
	M ₀	Permissible lateral dynamic torque		8.7	11	19.6	24.2
	M _L	Permissible longitudinal dynamic torque		4.9	8.5	10.7	17.6
Weights guideway (g/m), carriage (g)		518	25	33	915	47	60

7 MINIRAIL Product Overview



		Wider width 24			Wider width 42		
		Guideway	MNN	MNNL	Guideway	MNN	MNNL
Dimensions (mm)	A	System height		14		16	
	B	System width		40		60	
	B ₁	24	Rail width		42	60	
	B ₂	Distance between reference surfaces		8		9	
	J	Carriage height		10		12	
	J ₁	Rail height		8.5		9.5	
	L	Carriage length with wipers		46.4	58.9	55.7	73.7
	L ₁	Longitudinal spacing of attachment holes		15	28	20	35
	L ₂	Longitudinal spacing of attachment holes		-	-	-	-
	L ₄	Spacing of attachment holes		40		40	
	L ₅ /L ₁₀	Position of first and last attachment hole		15		15	
	L ₆	Carriage length (steel body)		43.4	55.9	52.7	70.7
	L ₈	Lateral attachment hole spacing		-		23	
	N	Lateral attachment hole spacing		28		45	
	e	Thread		M3		M4	
	f ₁	Hole diameter		4.5		4.5	
	f ₂	Countersink diameter		8		8	
	g	Thread depth		3.5		4.5	
	g ₂	Step drilling height		4		5	
m ₁	Position of lubrication holes		4.75		5.5		
o	Reference face height		3.9		4.9		
Load capacity (N)	C ₀	Static load capacity		5630	7800	8110	11855
	C	Dynamic load capacity		3240	4070	4750	6200
Torque (Nm)	M _{0o}	Permissible lateral static torque		68.2	94.4	171.2	250.2
	M _{0L}	Permissible longitudinal static torque		32.9	61.8	56.8	118.6
	M _o	Permissible lateral dynamic torque		39.2	49.3	100.3	130.8
	M _L	Permissible longitudinal dynamic torque		18.9	32.2	33.3	62
Weights guideway (g/m), carriage (g)		1476	84	109	2828	169	231

7.2.12 Lubrication

General

Choice of lubricant is an important consideration and must therefore be defined during the development phase of the machine or application. From experience, choosing the lubricant after the design is finalized leads to significant difficulties later on. A carefully thought out lubrication concept is therefore a feature of a state-of-the-art and well-planned design.

Parameters to be taken into account in selecting the lubricant include:

- Operating conditions (Speed, acceleration, stroke, load, installation orientation)
- External influences (Temperature, aggressive media or radiation, contamination, humidity, vacuum, cleanroom)
- Relubrication (Period of time, amount, compatibility)
- Compatibility (With other lubricants, with corrosion protection and with integrated materials such as plastic)

Technical and economic considerations determine the lubricant used.

The guideways should be kept free of cutting oils or water-soluble coolants and lubricants as they thin or wash off the lubricant. In addition, coolants tend to become sticky as they dry out. Lubricants with solid additives are not suitable.

Long-term lubrication

The long-term lubrication LUBE-S from SCHNEEBERGER is covered in chapter 8.1.

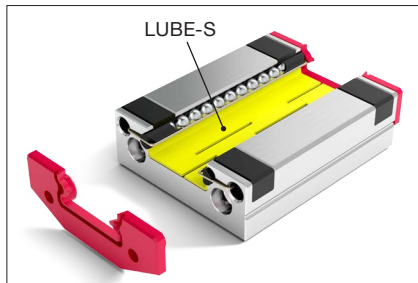
Custom lubricants

Specific lubricants are used for specific purposes. For example lubricants for use in vacuums, cleanrooms, for high or low temperatures, for high speeds or high-frequency strokes. SCHNEEBERGER can supply the guideways with the appropriate lubricant for all of these applications.

Additional important information about lubricants is available in chapter 16.3.3.

8 MINIRAIL Options

8.1 LUBE-S (LS) Long-term Lubrication

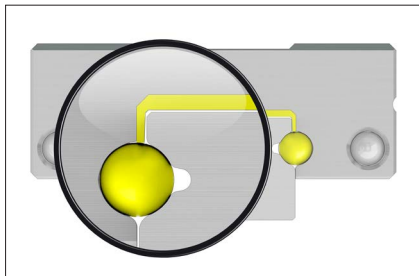


LUBE-S is integrated in the carriage and easily replaceable

All types of MNN MINIRAIL carriages can be ordered with optional LUBE-S lubricant. Other carriage types available on request.

The ingenious long-term lubrication LUBE-S is a lubricant reservoir. It applies the lubricant externally in all orientations directly to the ball recirculation tracks by means of the capillary effect. LUBE-S is integrated into the inside of the carriage and lubricates all ball bearings that are directly under load. LUBE-S ensures lubrication even during short-stroke applications (see chapter 6.6.2).

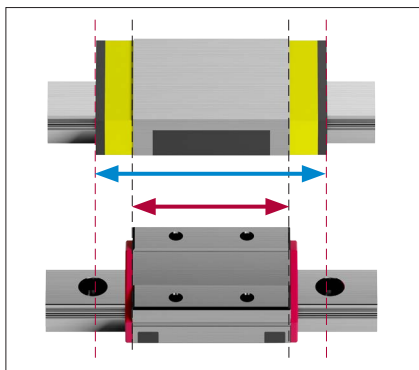
Carriages equipped with LUBE-S are delivered with clearance wipers (see chapter 9.2.1).



LUBE-S applies lubricant to all ball bearings directly under load

Using the long-term lubrication LUBE-S:

- Maintenance-free for 20,000 km under normal environmental conditions and the corresponding load
- The carriage length remains unchanged and does not affect the maximum stroke
- LUBE-S is the optimal lubricant for all short-stroke applications
- LUBE-S lubricates the ball bearings which are directly under load
- The smoothness, push force and service life are maintained long-term thanks to LUBE-S
- Maintenance costs are reduced substantially
- The minimal consumption of lubricant is good for the environment
- LUBE-S can be easily replaced



The carriage length remains unchanged with LUBE-S
The travel distances are therefore not affected

A compact solution

The external dimensions of the carriages remain the same. The maximum stroke is therefore not affected.

Smoothness

The LUBE-S oil reservoir contacts the ball bearings at a single point. The push forces of the carriages are therefore not affected and the smoothness of the MINIRAIL system is maintained at a high level.



The MINIRAIL guideways should be lubricated during installation.
(see also chapter 16.3.3).

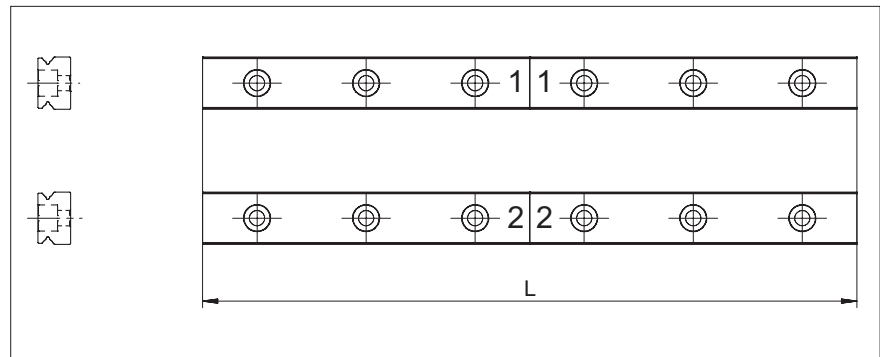
8 MINIRAIL Options

8.2 Multi-part Guideways for MINIRAIL (ZG)

If the desired total length of the guideway is longer than the maximum length listed in the catalogue, individual guideways can be joined together with precision butt joints. For this configuration, the ends of the guideways are precision ground. The offset between the individual guideways should not exceed 0.002 mm.



Take note of the numbered guideways at the butt joints during installation.



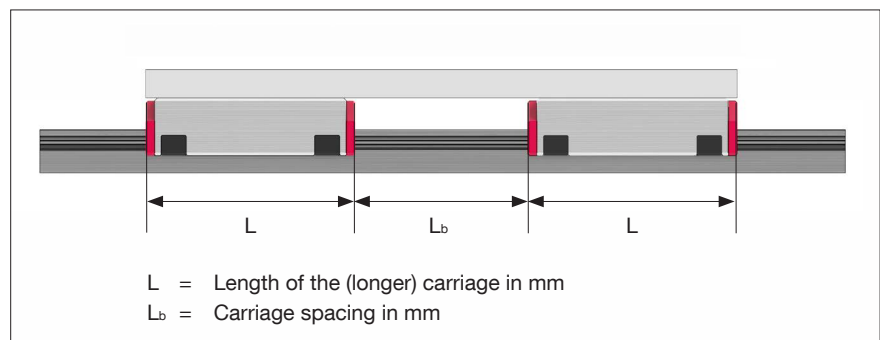
Multi-part guideways are numbered at the butt joint

8.3 Push Force Defined (VD)

Demanding applications may only be possible if the guideway has a defined push force. These parameters can be defined by SCHNEEBERGER according to customer specifications. Carriages and guideways are then matched and delivered as a set.

8.4 Height-matched Carriages (HA)

In accuracy class G1, the maximum height deviation of the carriages is $\pm 10 \mu\text{m}$. This tolerance can be too large for certain configurations, for example when the distances among the individual carriages are too small, i.e. when the carriage spacing L_b is smaller than the carriage length L . In such cases, the tolerances can be reduced on a customer-specific basis.



8 MINIRAIL Options

8.5 Customer-specific Lubrication (KB)

The fundamentals of lubrication are described in chapter 12. Special lubricants are used for specific purposes. For example lubricants for use with vacuums, different temperatures, high speeds, heavy loads or high stroke frequencies.

SCHNEEBERGER can supply the guideways with the appropriate lubricant for all of these applications.



8.6 Cleaned and Vacuum-packed (US)

Guideways operated in a vacuum must be cleaned and packaged accordingly. Cleaning takes place in our cleanroom. The packaging consists of an inner, airtight layer and an outer protective layer.

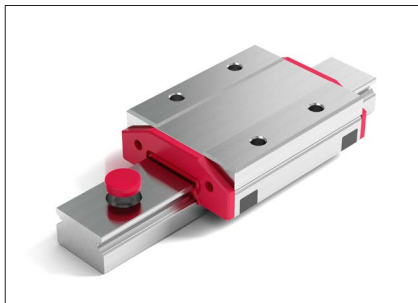
Please state your required cleanroom class (ISO 7 or ISO 6) when making enquiries.



MINIRAIL cleaned and vacuum-packed

9 MINIRAIL Accessories

9.1 Plastic Plugs (MNK)

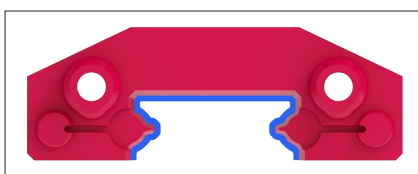


Plastic plugs for sealing the attachment holes

Plastic plugs in the guideway attachment holes prevent accumulations of dirt.

Rail length	Plastic plugs	The plastic plugs can be used with the following types of screws		
		Type	DIN 912	DIN 7984
7	MNK 4	-	-	x
9	MNK 6	-	x	x
12	MNK 6	x	x	x
15	MNK 6	x	x	x
14	MNK 6	-	x	x
18	MNK 6	x	x	x
24	MNK 8	-	x	x
42	MNK 8	-	x	x

9.2 Wipers (AS, AL and OA)



Standard wiper (blue contour = contact surface)

9.2.1 Standard

The wiper brushes across guideway surfaces and tracks and provides optimal protection against contamination.

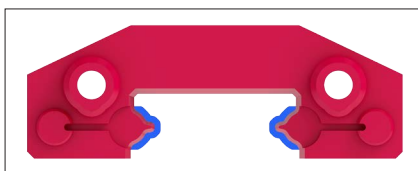


Clearance wiper (AS)

9.2.2 Alternatives

Clearance wiper (AS)

These precisely finished clearance wipers prevent the migration of dirt particles without affecting the push force of the carriage. The AS wiper is used as standard for the LUBE-S option (see chapter 8.1).



Smooth-running wiper (AL) (blue contour = contact surface)

Smooth-running wiper (AL)

A compromise between the standard wiper and the type AS clearance wiper. Cleans the tracks and seals off the guideway surfaces by means of a gap. Only for sizes 7, 9, 12 and 15.

Without wipers (OA)

Without wipers; for use in vacuums, among other applications

9.3 Relubrication Set (MNW)

A relubrication set with KLÜBER Structovis GHD allows the MINIRAIL carriages to be lubricated via the two lubrication holes in the wipers.

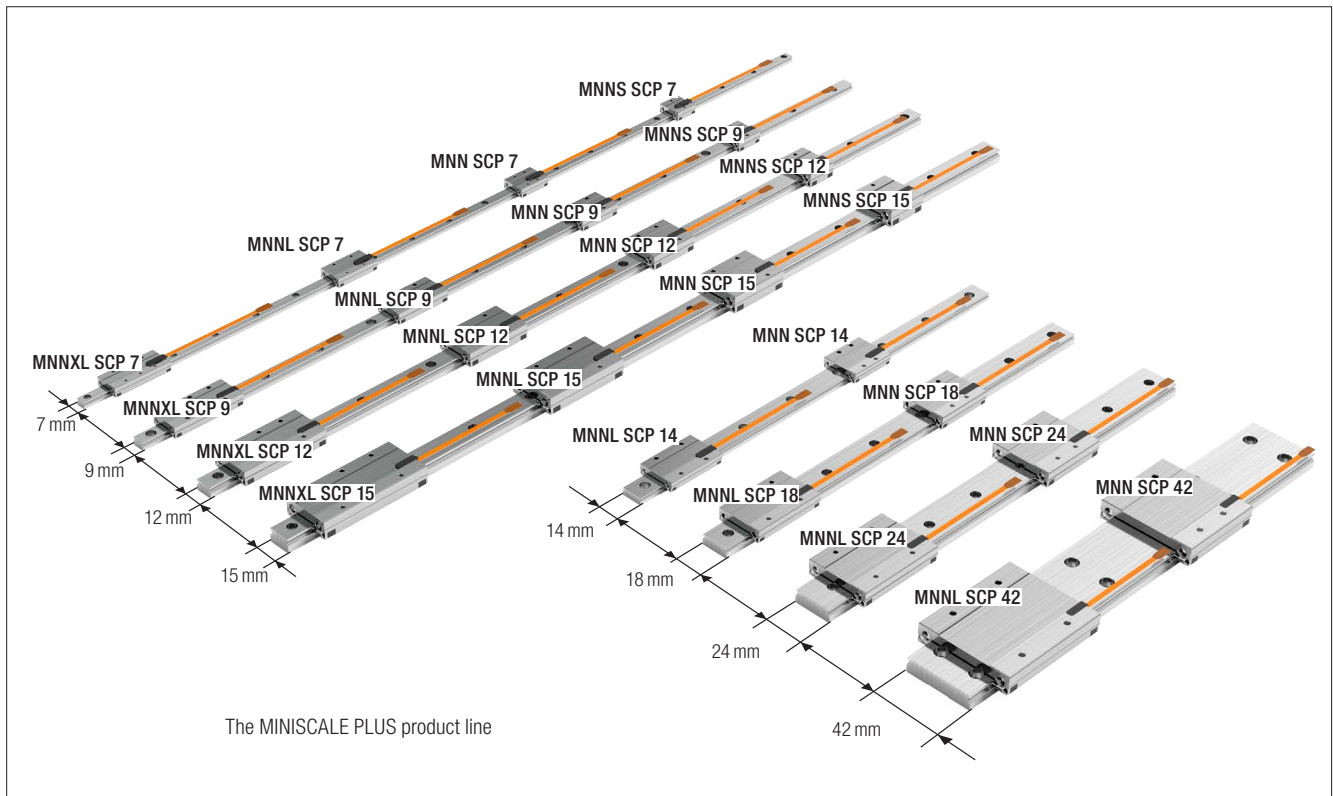


Relubrication set (MNW), contents 7 ml

10 MINISCALE PLUS Product Overview

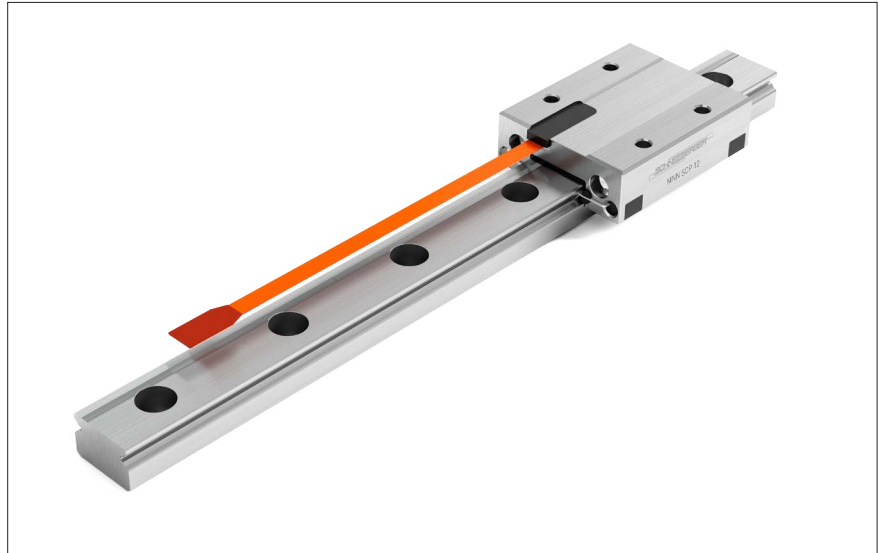
This extraordinary innovation combines «movement» with «measuring» in a highly integrated design. MINISCALE PLUS makes the most compact applications possible and simplifies assembly and installation significantly.

MINISCALE PLUS is based on our MINIRAIL guideways and is available for our entire product range.



10 MINISCALE PLUS Product Overview

10.1 Product Characteristics



MINISCALE PLUS

Highly integrated, compact design

- The measuring sensor is integrated into the carriage and requires no additional installation space

Minimal design planning

- The costs of a separate distance measuring system are not required

Quick and easy installation

- MINISCALE PLUS is delivered ready-to-install
- No need for additional components and special mounting (as would be required for a glass scale, for example)
- Distance measurements do not have to be adjusted
- Mounting a measuring scale is not necessary

Consistently high level of accuracy

- Measurements are made directly as part of normal operation. This significantly reduces the chance of Abbe errors
- Immune to vibration and shock as a single assembly
- The measuring scale is part of the guide rail. This reduces the effect of the thermal aspect ratio and amount of compensation required for the controller

High level of reliability and long service life

- MINISCALE PLUS is based on the successful MINIRAIL design.
- The dimensional scale is marked directly on the guideway. The sensor is perfectly integrated into the carriage and sealed

10 MINISCALE PLUS Product Overview

10.2 Technical Information and Modifications

10.2.1 Performance Parameters of MINISCALE PLUS

Max. acceleration	300 m/s ²
Max. speed	5 m/s analog, 3.2 m/s digital
Preload classes	V1 Preload 0 to 0.03 C (C = dynamic load capacity)
Accuracy classes	G1
Materials - guideways, carriages, ball bearings - ball recirculation	Stainless, through-hardened steel POM
Areas of application - temperature range ⁽¹⁾ - vacuum - humidity - cleanroom	-40° C to +80° C (-40° F to +176° F) On request 10 % to 70 % (non-condensing) Cleanroom class ISO 7 or ISO 6 (in accordance with ISO 14644-1)
Resolution	TTL output 0.1 µm
Accuracy ⁽²⁾	1000 mm +/- 10 µm (+/- 5 µm on request) Per 40 mm +/- 4 µm
Repeatability	Unidirectional +/- 0.1 µm Bidirectional +/- 0.2 µm
Dimensional scale	Pitch 100 µm Max. length 1000 mm Coefficient of expansion 11.7 x 10 ⁻⁶ K ⁻¹
Supply voltage	5 V DC +/- 5 %
Current consumption	60 mA (analog) / 70 mA (digital)
Output signal	Analog: 1 Vpp (at 100 Ω) Digital: TTL in accordance with RS 422 standard
Source format	Differential sin/cos analog signals with reference pulse or Differential, interpolated digital signals (A, B, R) The reference signal is synchronised with the incremental signals

⁽¹⁾ The standard lubrication covers a temperature range from -20° C to +80° C. Lubricants for other temperatures are available upon request from SCHNEEBERGER.

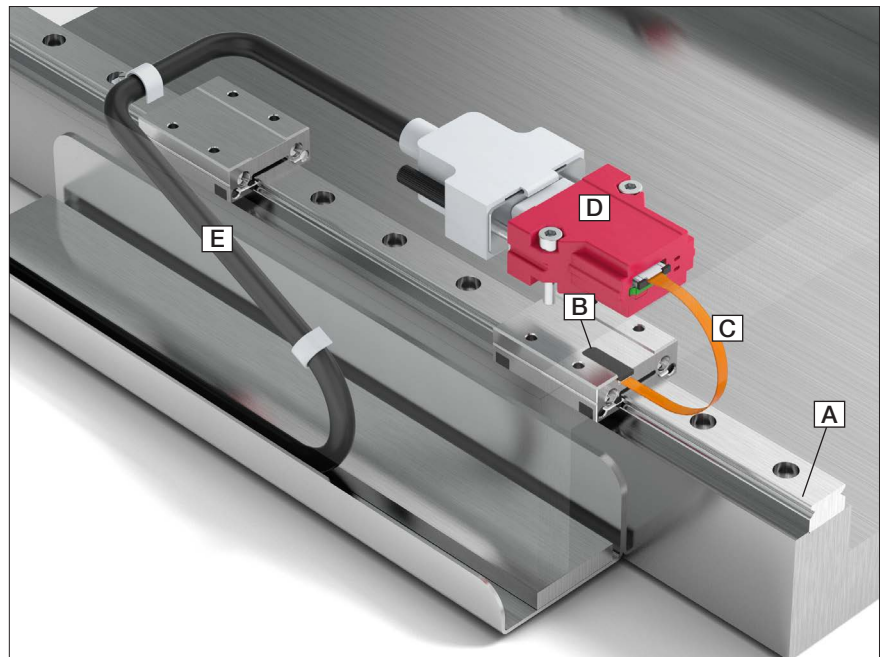
⁽²⁾ The values apply to a room temperature of 20° C (68° F).

10.2.2 MINISCALE PLUS Components and Working Method

MINISCALE PLUS is an optical, incremental measuring system that consists of the MINIRAIL guide system and the following additional components:

- A Dimensional scale on the guide rail
- B Optical sensor on the carriage
- C Flexible print (must not be exposed to dynamic loads)
- D Interface module with D-Sub 9 connector

The control cable E with D-Sub 9 connector must be supplied by the customer and be a flexible cable where necessary.

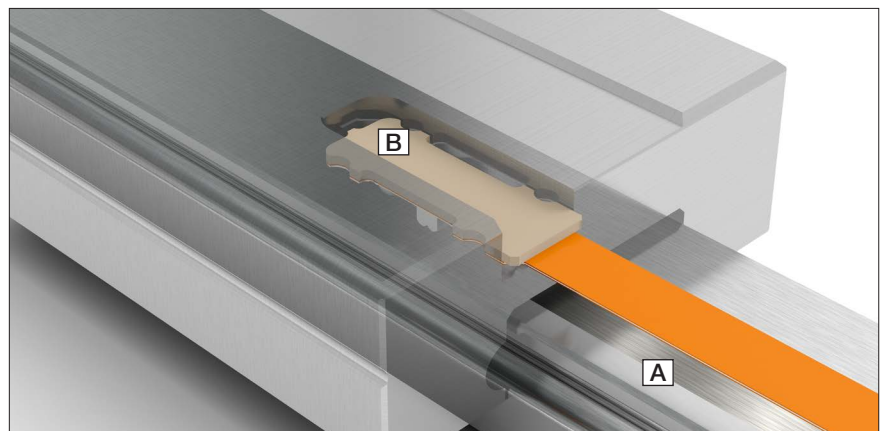


Axis with MINIRAIL, MINISCALE PLUS and interface module

Dimensional scale and optical sensor

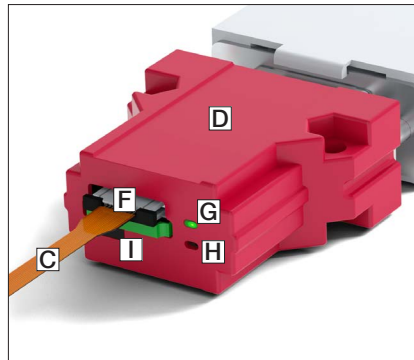
The high-precision dimensional scale is part of the hardened guideway's surface with a scale increment of 100 μm .

The sensor illuminates the dimensional scale and records the optical signals. The raw signals supplied by the sensor are processed by the interface module.

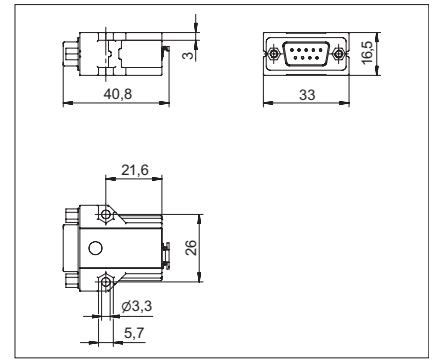


- A Dimensional scale on guideway
- B Sensor in carriage

Interface module



Interface module with correctly installed flexible print.
The LED lights up green



The dimensions of the interface module

The raw signals are processed by the interface module and supplied to the customer's control system in either analog or digital form.

Ensure the ZIF connector **F** is accessible and the LED displays (**G** and **H**) on the interface module are clearly visible. Unlike the analog interface, the digital interface includes a calibration key **I**, which must also be accessible.

- C** Flexible print
- D** The electronics are in the red housing with D-Sub 9 connector.
- F** ZIF connector
- G** Green LED
- H** Red LED
- I** Calibration key (only on digital interface module)

10.2.3 Signal Processing

Further information about signal processing is available from the download section of our website www.schneeberger.com.

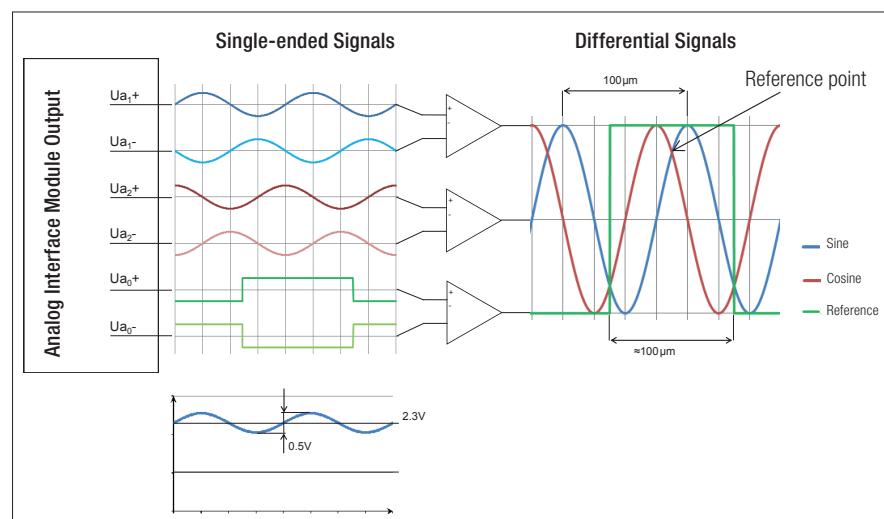
Analog output format:

Differential, sin/cos analog signals with reference pulse 1 Vpp (at 100 Ω).

The incremental signals sine and cosine are shifted 90° and correlated with the markings on the encoded scale. An electrical signal period (360°) corresponds precisely to the scale increment of the dimensional scale, which is 100 μm.

The reference pulse always marks electronically the same section of the path of the sine and cosine signals. The point of intersection of the two signals within the reference pulse therefore marks a precisely defined position on the dimensional scale.

The sine signal either lags behind the cosine signal or occurs before it, depending on the direction of movement.



Digital output format:

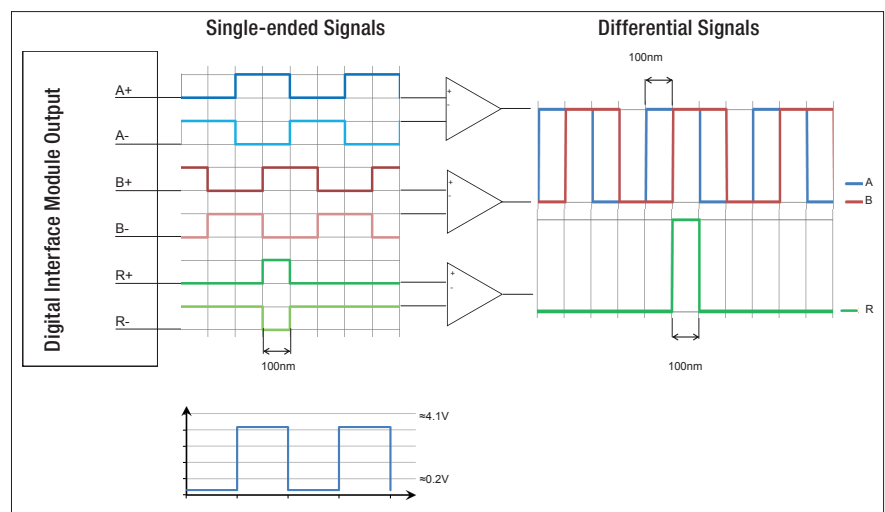
Differentially interpolated digital signals with reference pulse (A, B, R) TTL signal (RS422).

The digital interface module both processes the raw signal and interpolates the processed analog signal. The interpolation achieves a resolution of 100 nm.

The digital signal waveform consists of an A and B signal. The spacing between the two edges of signals A and B correspond exactly to a distance of 100 nm. The 100 μm increments of the encoder scale are consequently divided into 1000 sections of 100 nm by means of interpolation. The A signal either lags behind the B signal or occurs before it, depending on the direction of movement.

The reference pulse is as wide as the spacing between the two signal edges of signals A and B (100 nm).

The edges of the incremental and reference signals are synchronised.



10.2.4 Reference Marks

Standard version

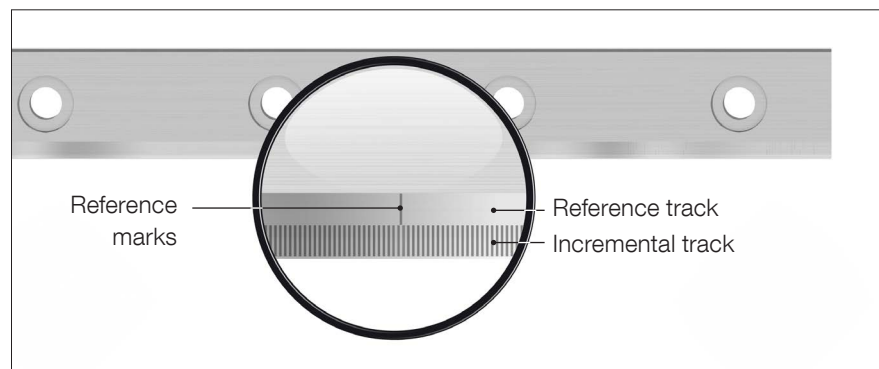
The reference track is located next to the incremental track. The reference mark is located between the second and third attachment holes as standard (as shown).

Special versions

Any number of reference marks can be chosen at any position along the reference track. It is necessary for the reference marks to be synchronised with the dimensional scale. Specifically this means that the reference marks can only be placed in multiples of 0.1 mm, since the pitch of the dimensional scale is 0.1 mm. A minimum distance of 1.5 mm between the reference marks should be maintained.

Restrictions

- The attachment holes on guideways of type MN 7 and MN 9 are located on the reference track. The reference marks must therefore be BETWEEN the attachment holes for both of these sizes.
- When specifying the reference mark(s), ensure they can be seen by the carriage's sensor.



MINISCALE PLUS guideway with dimensional scale

10.2.5 Interface Module Pin Connections

Analog interface module pin connections (1Vpp)

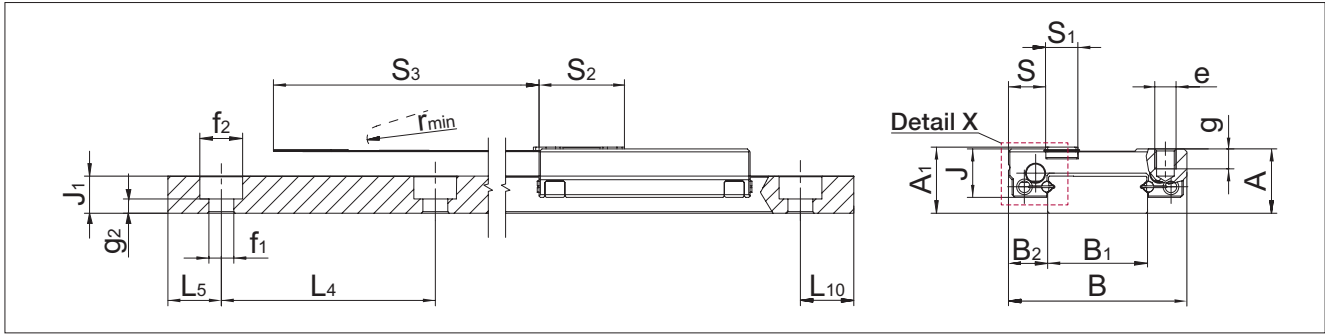
Pin	Signal	Signal type
1	Ua1 -	Sine-
2	GND	Supply voltage
3	Ua2 -	Cosine-
4	ERR NOT	Error signal
5	Ua0 -	Reference signal -
6	Ua1 +	Sine +
7	+5V DC	Supply voltage
8	Ua2 +	Cosine +
9	Ua0 +	Reference signal +
9	NCos	

Digital interface module pin connections (TTL/CMOS)

Pin	Signal	Signal type
1	A-	Quadrature signal
2	GND	Supply voltage
3	B-	Quadrature signal
4	ERR NOT	Error signal
5	R -	Reference signal
6	A+	Quadrature signal
7	+5V DC	Supply voltage
8	B+	Quadrature signal
9	R +	Reference signal

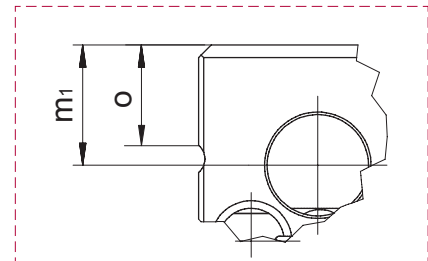
10 MINISCALE PLUS Product Overview

10.2.6 Dimension Tables, Load Capacities, and Moment Loads for Standard Width MINISCALE PLUS



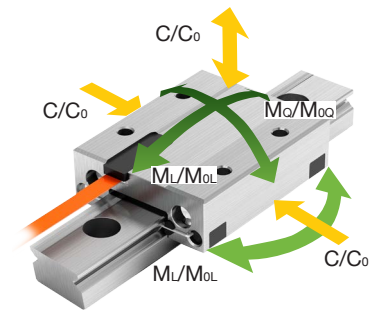
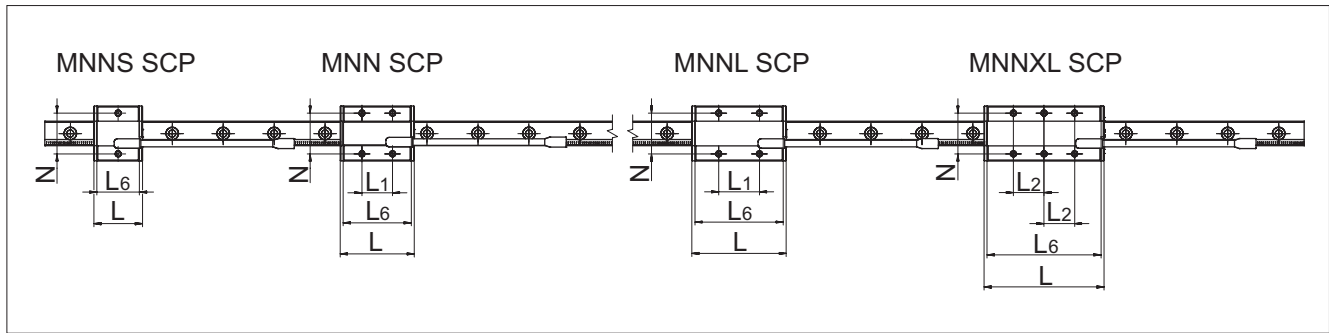
Please contact SCHNEEBERGER for applications with a single MINISCALE PLUS carriage type MNNS 7, 9, 12 or 15.

Detail X



	Name	Standard size 7					Standard size 9				
		Guideway	MNNS SCP	MNN SCP	MNNL SCP	MNNXL SCP	Guideway	MNNS SCP	MNN SCP	MNNL SCP	MNNXL SCP
Dimensions (mm)	A	8					10				
	A1	9.2					20				
	B	17					5.5				
	B1	7					9				
	B2	5					8				
	J	6.5									
	J1	4.5					5.5				
	L	18.6 24.6 32.1 41.1					22 32 40 50				
	L1	- 8 13 20					- 10 16 26				
	L2	- - - 10					- - - 13				
	L4	15					20				
	L5/L10	5					7.5				
	L6	16.1 22.1 29.6 38.6					19 29 37 47				
	N	12					15				
	e	M2					M3				
	f1	2.4					3.5				
	f2	4.2					6				
	g	2.5					3				
	g2	2.2					2				
	m1	3.1					3.8				
o	2.5					3.1					
s	3.6					4.6					
S1	5.5					4.6					
S2	13.5					12.5					
S3	75					75					
rmin	2					2					
Load capacity (N)	C0	935	1560	2340	3275	1385	2770	3880	5270		
	C	645	925	1230	1550	1040	1690	2140	2645		
Torque (Nm)	M00	3.4	5.6	8.4	11.8	6.5	12.9	18.1	24.5		
	M0L	1.6	4.3	9.3	18	2.8	10.2	19.4	35.1		
	M0	2.3	3.3	4.4	5.6	4.8	7.9	9.9	12.3		
	ML	1.1	2.5	4.9	8.5	2.1	6.2	10.7	17.6		
Weights guideway (g/m), carriage (g)		216	9	13	18	23	309	16	24	31	40

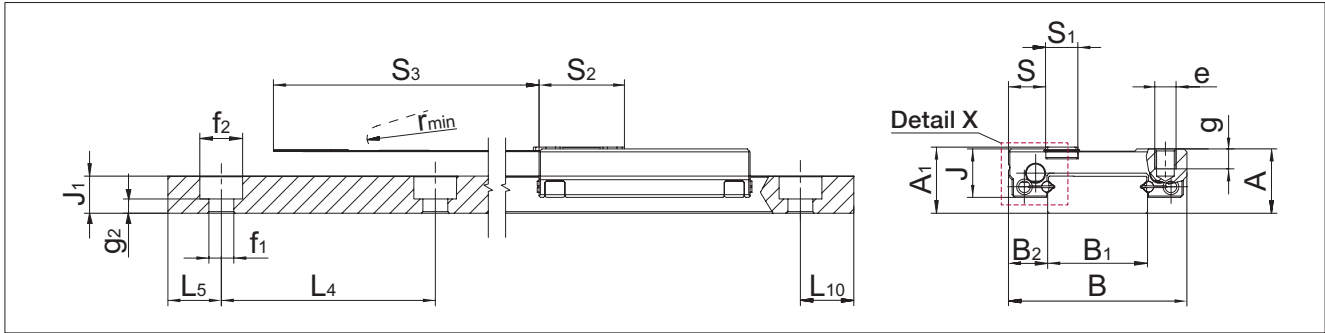
10 MINISCALE PLUS Product Overview



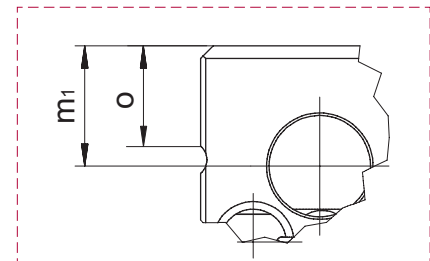
		Name	Standard size 12				Standard size 15					
			Guideway	MNNS SCP	MNN SCP	MNNL SCP	MNNXL SCP	Guideway	MNNS SCP	MNN SCP	MNNL SCP	MNNXL SCP
Dimensions (mm)	A	System height	13				16					
	A ₁	System height with sensor	27				32					
	B	System width	12	7.5				15	8.5			
	B ₁	Rail width	10				12					
	B ₂	Distance between reference surfaces	7.5				8.5					
	J	Carriage height	10				12					
	J ₁	Rail height	7.5	9.5								
	L	Carriage length with wipers only for LUBE-S	23.9	36.4	46.4	58.9	31.7	43.7	58.7	73.7		
	L ₁	Longitudinal spacing of attachment holes	-	15	20	30	-	20	25	40		
	L ₂	Longitudinal spacing of attachment holes	-	-	-	15	-	-	-	20		
	L ₄	Spacing of attachment holes	25	40								
	L ₅ /L ₁₀	Position of first and last attachment hole	10	15								
	L ₆	Carriage length (steel body)	20.9	33.4	43.4	55.9	28.7	40.7	55.7	70.7		
	N	Lateral attachment hole spacing	20				25					
	e	Thread	M3				M3					
	f ₁	Hole diameter	3.5	3.5				3.5	3.5			
	f ₂	Countersink diameter	6	6				6	6			
	g	Thread depth	3.5				4					
	g ₂	Step drilling height	3	5								
	m ₁	Position of lubrication holes	4.75				5.55					
o	Reference face height	3.9				4.9						
s	Distance from sensor	7.1				8.7						
s ₁	Sensor width	4.6				4.6						
s ₂	Sensor length	12.5				12.5						
s ₃	Length of the flexible printed circuit board	75				75						
r _{min}	Permitted radius	2				2						
Load capacity (N)	C ₀	Static load capacity	1735	3900	5630	7800	3120	5620	8740	11855		
	C	Dynamic load capacity	1420	2510	3240	4070	2435	3680	5000	6200		
Torque (Nm)	M ₀₀	Permissible lateral static torque	10.6	23.8	34.4	47.6	23.7	42.7	66.4	90.1		
	M _{0L}	Permissible longitudinal static torque	3.6	16.3	32.9	61.8	9.4	28.1	65.5	118.6		
	M ₀	Permissible lateral dynamic torque	8.7	15.3	19.8	24.8	18.5	27.9	38.1	47.1		
	M _L	Permissible longitudinal dynamic torque	3	10.4	18.9	32.2	7.3	18.4	37.6	62		
Weights		guideway (g/m), carriage (g)	598	29	47	63	81	996	56	81	114	146

10 MINISCALE PLUS Product Overview

10.2.7 Dimension Tables, Load Capacities and Moment Loads for Wider Width MINISCALE PLUS.

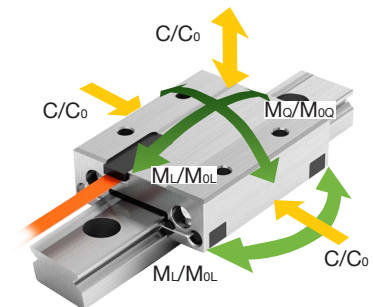
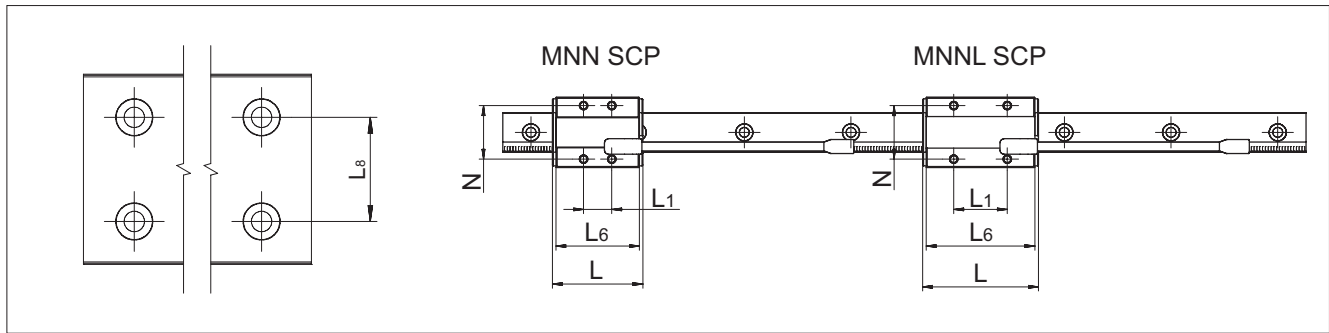


Detail X



Name		Wide size 14		Wide size 18			
		Guideway	MNN SCP	MNNL SCP	Guideway	MNN SCP	MNNL SCP
Dimensions (mm)	A	9		12			
	A ₁	10		12			
	B	25		30			
	B ₁	14			18		
	B ₂	5.5		6			
	J	6.8		8.5			
	J ₁	5.2			7		
	L	32.1		41.1			
	L ₁	10		19			
	L ₂	-		-			
	L ₄	30			30		
	L ₅ /L ₁₀	10			10		
	L ₆	29.6		38.6			
	L ₈	-		-			
	N	19		21			
	e	M3		M3			
	f ₁	3.5			3.5		
	f ₂	6			6		
	g	2.8		3			
	g ₂	2			2.5		
	m ₁	3.3		4.3			
	o	2.2		3.1			
	s	5.2		6.2			
s ₁	5.5		4.6				
s ₂	13.5		12.5				
s ₃	75		75				
r _{min}	2		2				
Load capacity (N)	C ₀	2340	3275	3880	5270		
	C	1230	1550	2140	2645		
Torque (Nm)	M _{0a}	16.6	23.3	35.5	48.2		
	M _{0L}	9.3	18	19.4	35.1		
	M _a	8.7	11	19.6	24.2		
	M _L	4.9	8.5	10.7	17.6		
Weights guideway (g/m), carriage (g)		518	25	33	915	47	60

10 MINISCALE PLUS Product Overview



Name		Wide size 24		Wide size 42			
		Guideway	MNN SCP	MNNL SCP	Guideway	MNN SCP	MNNL SCP
Dimensions (mm)	A	System height		14		16	
	A ₁	System height with sensor		40		60	
	B	System width		24		42	
	B ₁	Rail width		8		9	
	B ₂	Distance between reference surfaces		10		12	
	J	Carriage height		8.5		9.5	
	J ₁	Rail height		46.4		55.7	
	L	Carriage length with wipers only for LUBE-S		58.9		73.7	
	L ₁	Longitudinal spacing of attachment holes		15		20	
	L ₂	Longitudinal spacing of attachment holes		-		-	
	L ₄	Spacing of attachment holes		40		40	
	L ₅ /L ₁₀	Position of first and last attachment hole		15		15	
	L ₆	Carriage length (steel body)		43.4		52.7	
	L ₈	Lateral attachment hole spacing		-		70.7	
	N	Lateral attachment hole spacing		-		23	
	e	Thread		M3		M4	
	f ₁	Hole diameter		4.5		4.5	
	f ₂	Countersink diameter		8		8	
	g	Thread depth		3.5		4.5	
	g ₂	Step drilling height		4		5	
	m ₁	Position of lubrication holes		4.75		5.5	
	o	Reference face height		3.9		4.9	
	s	Distance from sensor		8.2		9.2	
s ₁	Sensor width		4.6		4.6		
s ₂	Sensor length		12.5		12.5		
s ₃	Length of the flexible printed circuit board		75		75		
r _{min}	Permitted radius		2		2		
Load capacity (N)	C ₀	Static load capacity		5630		7800	
	C	Dynamic load capacity		3240		4070	
Torque (Nm)	M ₀₀	Permissible lateral static torque		68.2		94.4	
	M _{0L}	Permissible longitudinal static torque		32.9		61.8	
	M ₀	Permissible lateral dynamic torque		39.2		49.3	
	M _L	Permissible longitudinal dynamic torque		18.9		32.2	
Weights		guideway (g/m), carriage (g)		1476		84	
				109		2828	
				169		231	

10.2.8 Lubrication

General

Lubrication is a design element and must therefore be defined during the development phase of a machine or application. If the lubrication is specified after design and construction is complete, this is likely to lead to operational difficulties. A carefully thought out lubrication concept is therefore a sign of a state-of-the-art and well devised design.

Parameters to be taken into account in selecting the lubricant include:

- Operating conditions (speed, acceleration, stroke, load, installation orientation)
- External influences (temperature, aggressive media or radiation, contamination, humidity, vacuum, cleanroom)
- Relubrication (Period of time, amount, compatibility)
- Compatibility (with other lubricants, with corrosion protection and with integrated materials such as plastic)

Technical and economic considerations determine the lubricant used.

The guideways should be kept free of cutting oils or water-soluble coolants as they thin or wash off the lubricant. In addition, coolants tend to stick when drying out. Lubricants with solid additives are not suitable.

Additional important information on lubrication is given in chapter 16.3.4.

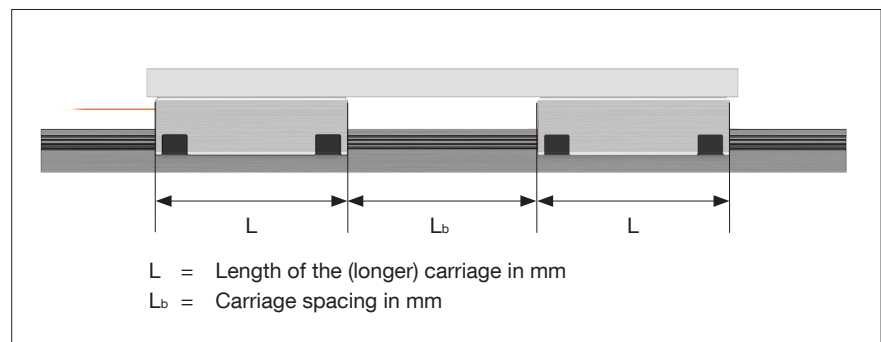
11 MINISCALE PLUS Options

11.1 Push Force Defined (VD)

Demanding applications may only be possible if the guideway has a defined push force. These parameters can be defined by SCHNEEBERGER according to customer specifications. Carriages and guideways are then matched and delivered as a set.

11.2 Height-matched Carriages (HA)

In accuracy class G1, the maximum height deviation of the carriages is $\pm 10 \mu\text{m}$. This tolerance can be too large for certain configurations, for example when the distances among the individual carriages is too small, i.e. when the carriage spacing L_b is smaller than the carriage length L . In such cases, the tolerances can be reduced on a customer-specific basis.



11.3 Customer-specific Lubrication (KB)

The fundamentals of lubrication are described in chapter 7.2.12. Special lubricants are used for specific purposes. For example lubricants for use with vacuums, different temperatures, high speeds, heavy loads or high stroke frequencies.

SCHNEEBERGER can supply the guideways with the appropriate lubricant for all of these applications.



12 MINISCALE PLUS Accessories

12.1 MINISCALE PLUS Counter and Position Indicator



1-axis USB counter 026

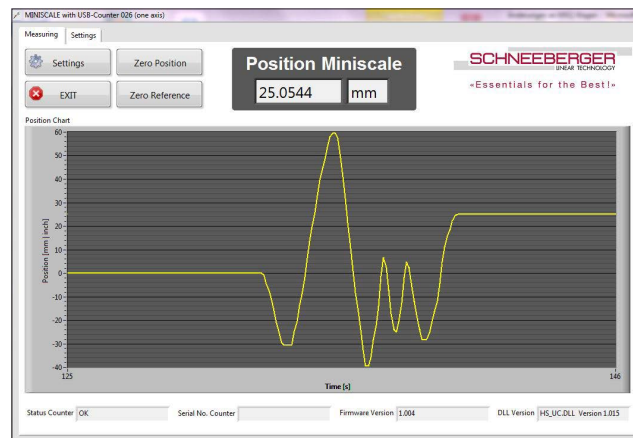
12.1.1 1-axis USB Counter 026

The USB counter 026 allows a MINISCALE PLUS or similar incremental encoder with TTL, 1 Vpp, or 11 μ Ass signal output to be connected directly to a computer using a USB interface.

- Counter analysis for signal encoders with TTL, 1 Vpp, or 11 μ Ass signal output
- USB-B connection
- Compact enclosure
- Simple installation
- For Windows XP/Vista/7 operating systems

Driver:

The USB counter 026 comes with the PC software required for operation. A DLL file is available for customers that wish to write their own software applications.



Demo software 1-axis
USB counter 026

12.1.2 3-axis USB Counter 046

The USB counter 046 allows three MINISCALE PLUS or similar incremental encoders with TTL, or 1 Vpp signal output to be connected directly to a computer using a USB interface. Every counter input additionally has a latch signal input at its disposal.

- Counter analysis for three signal encoders with 1 Vpp- or TTL signal output
- Latch signal analysis and counter latch synchronisation
- USB-B connection
- Simple installation
- For Windows XP/Vista/7 operating systems

Driver:

A DLL file is available for the development of custom software.



3-axis USB counter 046

12 MINISCALE PLUS Accessories



2-axis position indicator SIRIUS II

12.1.3 2-axis Position Indicator SIRIUS II

The measured values are depicted on the TFT colour display in both axes through analysis of incremental encoders. Versions for encoders with 11 μ Ass, 1 Vpp or TTL are available. The reference analysis also recognises coded measuring scales.

The Sirius II can save up to 99 reference points even in the event of a power failure. Data collected include the axis, unit of measurement, counting direction and a reference/ adapter unit.

Additionally, the Sirius II features a memory for up to 500 tools. The tool identification number, tool name, and reference point and tool target values are recorded for this purpose.

- Brilliant 6.4" or 10.4" TFT colour display
- Compact enclosure
- Convenient menu navigation with a mouse
- Integrated on-screen keyboard
- Counter analysis for two signal inputs, optionally for 11 μ Ass, 1 Vpp or TTL signals
- Serial and USB interface
- Power failure safe memory for up to 99 reference points (adapter) and 500 tools
- Postprocessor function for control-specific data transmission of a series of measurements
- Absolute measurement representation
- Increment selection to set the axis display to zero
- Radius/diameter switch
- Measured value stop function

Postprocessor (optional):

This operating mode is intended for creating a series of measurements with data sets that can be transferred to a machine tool in a control-specific format.

12 MINISCALE PLUS Accessories

12.2 ESD Wrist Strap Set

MINISCALE PLUS is sensitive to electrostatic discharge! The electronics can be damaged if precautions are not taken against ESD. ESD regulations should therefore be observed when handling ESD-vulnerable parts (EN 100015-1). This includes wearing an ESD wrist strap, as depicted below, to avoid electrostatic discharge during installation.

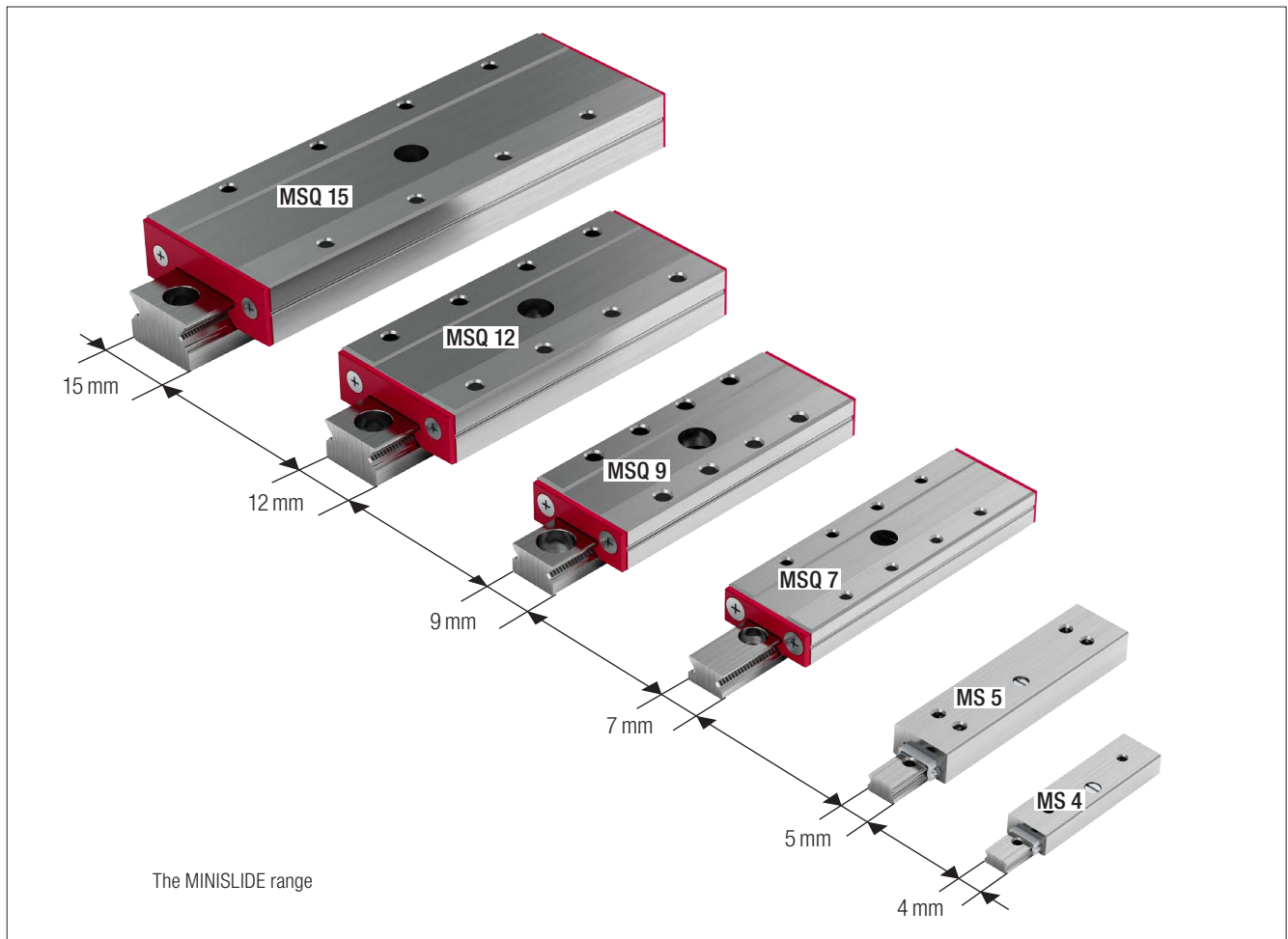


ESD wrist strap set

13 MINISLIDE Frictionless Table Product Overview

Demanding applications demand extraordinary guideways. MINISLIDE embodies the new generation of miniature guideways for demanding applications. They are extremely robust and prove themselves in every application with their high level of smoothness, precision and reliability.

The MINISLIDE range includes sizes 4, 5, 7, 9, 12 and 15 with travel distances from 6 to 102 mm.



13 MINISLIDE Frictionless Table Product Overview

13.1 MINISLIDE MS Product Characteristics

13.1.1 Extensive Range

The type MS range includes rail widths of 4 and 5 mm, available, depending on type, in four or five different lengths and strokes.



MINISLIDE MS range

MS 5

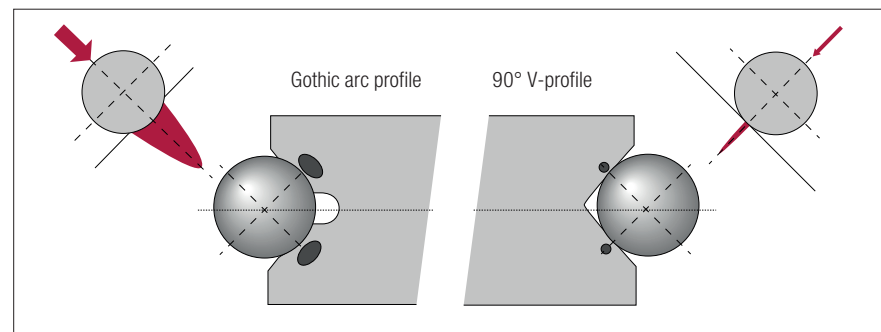
System lengths in mm: 15 – 50
Strokes in mm: 8 – 42

MS 4

System lengths in mm: 10 – 25
Strokes in mm: 6 – 22

13.1.2 Maximum Load Carrying Capacity and Compact Form

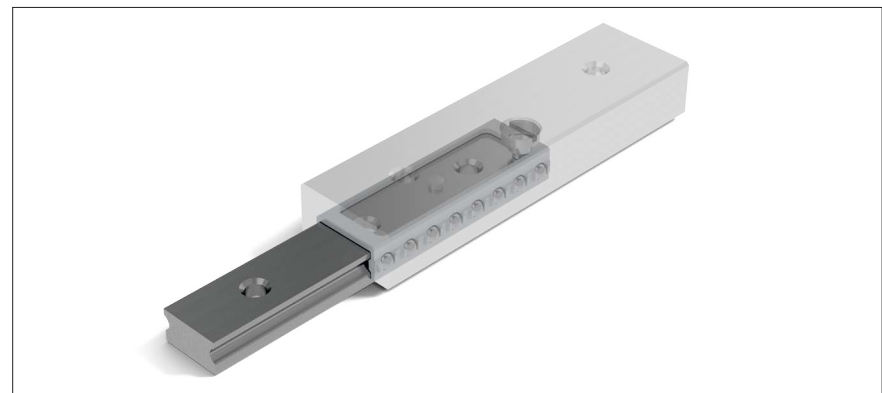
The Gothic arc profile of MINISLIDE MS guideways allows for load capacities up to 15 times higher than those of a 90° V-profile. MINISLIDE MS therefore allows for compact and robust constructions whilst keeping weight to a minimum.



The gothic arc guideway profile compared to the 90° V-profile

13.1.3 Integrated Cage Centering Feature

MINISLIDE MS 4 and MS 5 have a one-piece plastic cage at their disposal to counteract the effects of cage creep. The cage is positioned using the integrated cage centering feature.



MINISLIDE MS

13 MINISLIDE Frictionless Table Product Overview

13.2 MINISLIDE MSQ Product Characteristics

13.2.1 Extensive Range

The type MSQ range includes rail widths of 7, 9, 12 and 15 mm, available, depending on type, in four or five different lengths and strokes.



MINISLIDE MSQ range

MSQ 15

System lengths in mm: 70 – 130
Strokes in mm: 66 – 102

MSQ 12

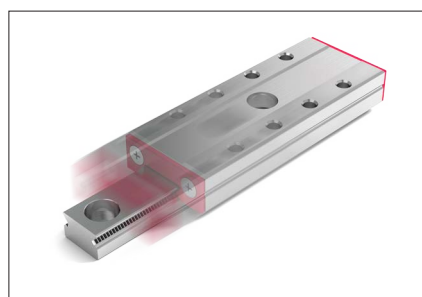
System lengths in mm: 50 – 100
Strokes in mm: 45 – 70

MSQ 9

System lengths in mm: 40 – 80
Strokes in mm: 34 – 66

MSQ 7

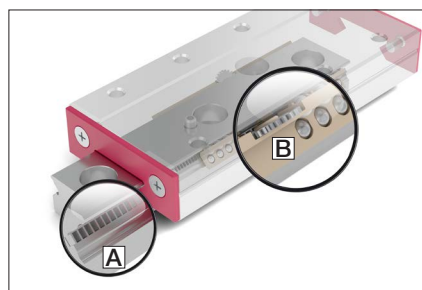
System lengths in mm: 30 – 70
Strokes in mm: 20 – 58



MINISLIDE MSQ allows for speeds of 3 m/s and acceleration of 300 m/s²

13.2.2 High Speed and Acceleration

High-acceleration applications demand well thought-out solutions. With its unique design with integrated cage control, MINISLIDE MSQ fulfills the requirements of the most modern of propulsion technologies and allows for speeds of up to 3 m/s and acceleration of up to 300 m/s².



The robust cage control of MINISLIDE MSQ
A gear rack pinion on carriage and guideway
B cage with pinion

13.2.3 High Process Reliability Thanks to Cage Control

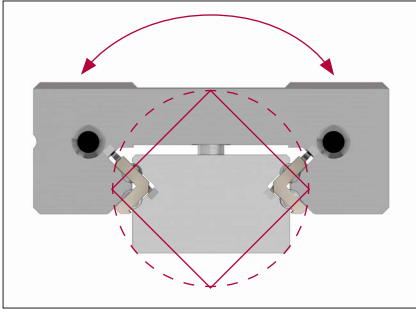
The cage is free to move along the longitudinal axis on every linear guideway. The cage generally moves out of the center position as a result of uneven weight distribution, high acceleration, vertical installation or temperature differences. This so-called cage creep compromises the efficiency of every application, since the cage must be centered regularly using corrective strokes at the expense of energy.

MINISLIDE MSQ products are fitted with a well-engineered, robust cage control system which eliminates cage creep. The gear rack pinion of the control system is directly integrated into the carriages and guideways. The cages and pinions are made from high-quality plastic.

The compact, robust design as well as the minimum of integrated components ensure the highest strength in every commercial situation.

A mechanical limited stroke protects the cage control mechanism and makes installation and maintenance easy (this must not be used during operation as a means to limit stroke).

13 MINISLIDE Frictionless Table Product Overview

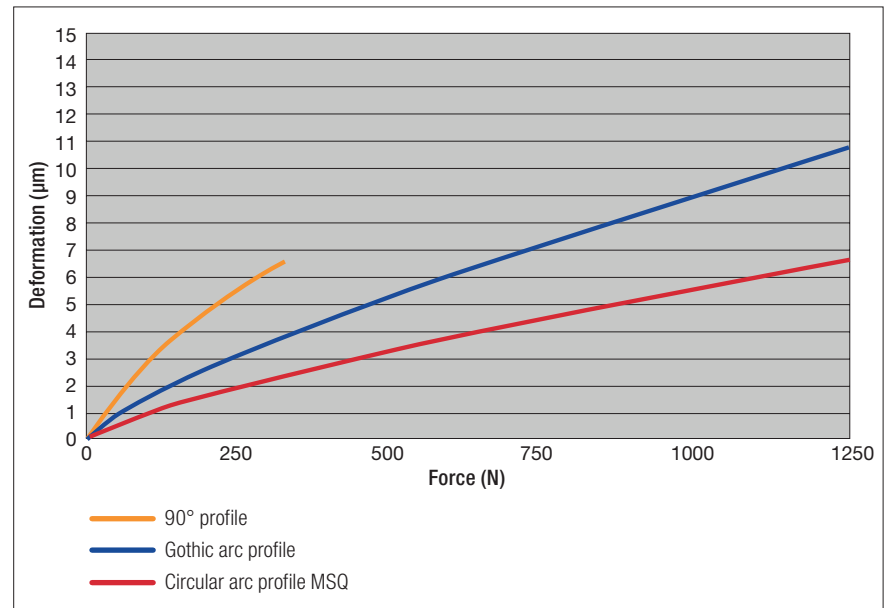


Arrangement of MINISLIDE MSQ with four circular arc profile tracks in an O shape

13.2.4 Maximum Rigidity and Load Capacities

MINISLIDE MSQ products have four tracks with a circular arc profile. Their arrangement in the shape of an O ensures large inner spacings. In combination with the tracks offset by 90 degrees, a high level of evenly distributed force from all directions is achieved, as well as torque rigidity.

MINISLIDE products are preloaded with zero backlash. Combined with the high number of rolling elements, a high level of system rigidity and therefore the highest precision are guaranteed.



Comparison of the rigidity of structurally identical MINISLIDE size 9-80.66 with different contouring of the guideway tracks. The circular arc profile of MSQ results in the lowest deformation and therefore the highest rigidity

13 MINISLIDE Frictionless Table Product Overview

13.3 Technical Information and Alternative Variants

13.3.1 MINISLIDE MS Performance Parameters

Max. acceleration	50 m/s ²
Max. speed	1 m/s
Preload	Zero backlash
Accuracy	See chapters 13.3.4 and 13.3.5
Materials - guideways, carriages, ball bearings - cage	Stainless, through-hardened steel POM
Areas of application - temperature range ⁽¹⁾ - vacuum ⁽²⁾ - humidity - cleanroom	-40° C to +80° C (-40° F to +176° F) Vacuum (max. 10 ⁻⁷ mbar) 10 % – 70 % (non-condensing) Cleanroom class ISO 7 or ISO 6 (in accordance with ISO 14644-1)

⁽¹⁾ The standard lubrication covers a temperature range from -20° C to +80° C. Lubricants for other temperatures are available on request from SCHNEEBERGER.

⁽²⁾ The suitability for a vacuum depends on the materials used. Use in a vacuum requires a special lubricant which can be requested from SCHNEEBERGER. So that no air remains trapped in the blind holes, the fastening screws must be vented.

13.3.2 MINISLIDE MSQ Performance Parameters

Max. acceleration	300 m/s ²
Max. speed	3 m/s
Preload	Zero backlash
Accuracy	See chapters 13.3.4 and 13.3.5
Materials - guideways, carriages, ball bearings - cage and pinion - end pieces	Stainless, through-hardened steel PEEK PEEK
Areas of application - temperature range ⁽¹⁾ - vacuum ⁽²⁾ - humidity - cleanroom	-40° C to +150° C (-40° F to +302° F) Vacuum (max. 10 ⁻⁷ mbar) 10 % – 70 % (non-condensing) Cleanroom class ISO 7 or ISO 6 (in accordance with ISO 14644-1)

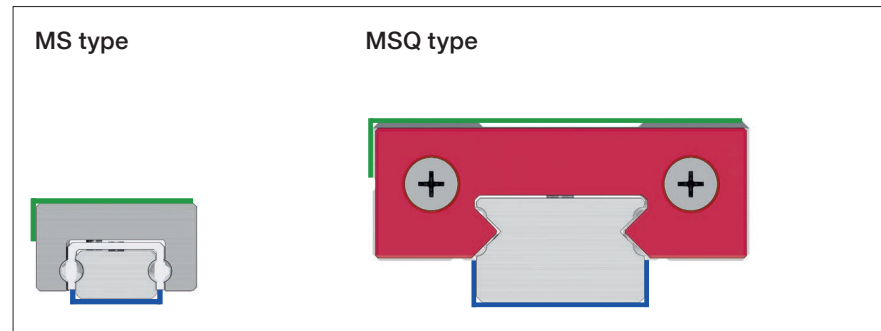
⁽¹⁾ The standard lubrication covers a temperature range from -30° C to +120° C. Lubricants for other temperatures are available on request from SCHNEEBERGER.

⁽²⁾ The suitability for a vacuum depends on the materials used. In order to use MSQ in a vacuum, the fastening screws must be removed from the front plates. Use in a vacuum requires a special lubricant which can be requested from SCHNEEBERGER. So that no air remains trapped in the blind holes, the fastening screws must be vented.

13 MINISLIDE Frictionless Table Product Overview

13.3.3 Reference and Supporting Surfaces

The locating and supporting surfaces of carriages and guideways are designated as follows.



- Carriage locating and supporting surfaces
- Guideway locating and supporting surfaces

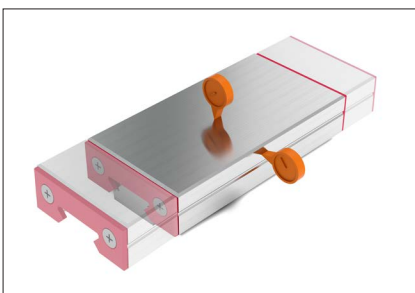
The reference side of the carriage is opposite the carriage side with the company logo / type designation. The guideway can be located on both sides.

13.3.4 Running Accuracy and Parallelism of Supporting Surfaces

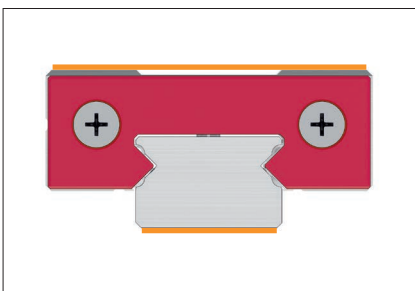
The tolerance for the straightness of the stroke depends on the length of the guideway.

The following table shows the corresponding maximum values.

The measurements are taken in an unloaded state on a flat surface.

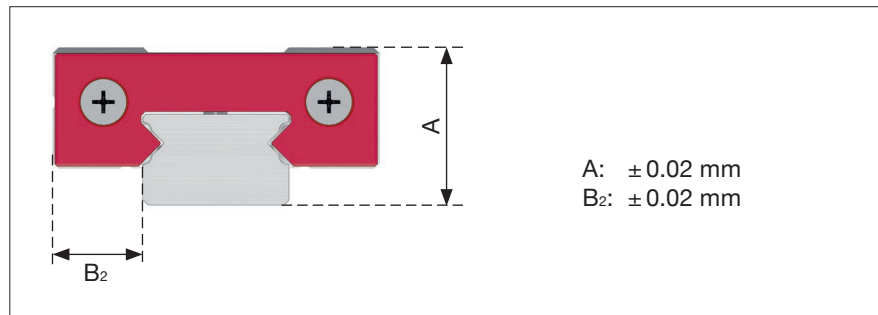


System length L	Straightness of the stroke horizontally and vertically
10 – 30 mm	3 μm
40 – 80 mm	4 μm
90 – 130 mm	5 μm



System length L	Parallelism of the supporting surfaces (frictionless table in the center position)
10 – 30 mm	12 μm
40 – 80 mm	15 μm
90 – 130 mm	18 μm

13.3.5 Tolerance of the Total Height



13.3.6 Push Force and Preload

The push force is influenced by the preload and the lubricant used. MINISLIDE guideways are delivered with zero backlash and slightly preloaded as standard.

The carriages can be delivered with a defined push force on request (see chapter 14.1).

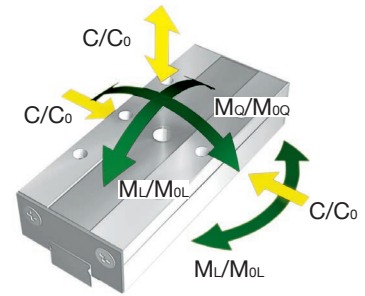
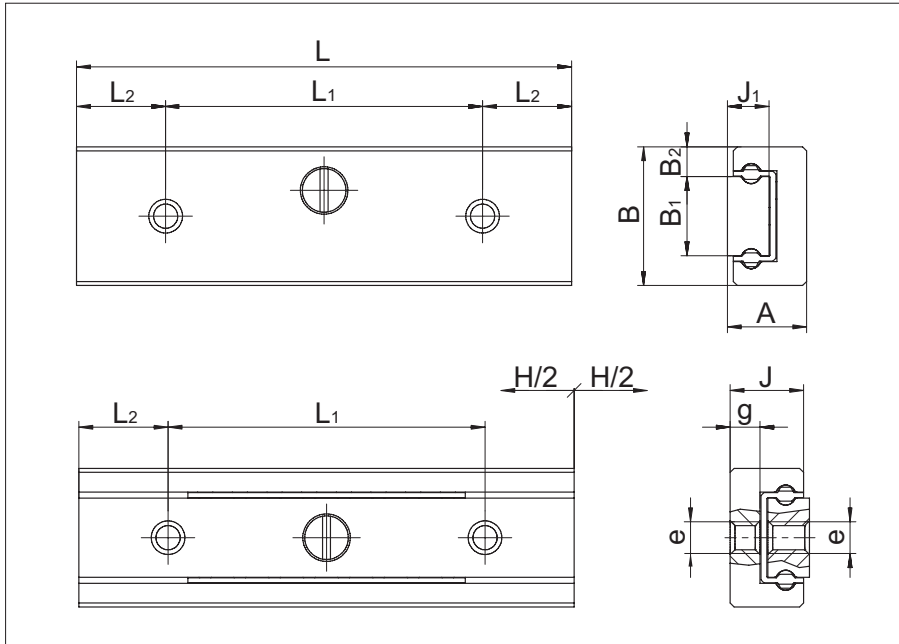
13.3.7 Friction and Smoothness

SCHNEEBERGER places high value on smoothness during manufacturing. The accuracy of the surfaces and materials is of the highest priority. This also applies with respect to the rolling elements used, which must satisfy the most stringent quality demands. Under normal operating conditions a coefficient of friction of 0.003 can be assumed.

13 MINISLIDE Frictionless Table Product Overview

13.3.8 Dimension Tables, Load Capacities, Weights and Moment Loads

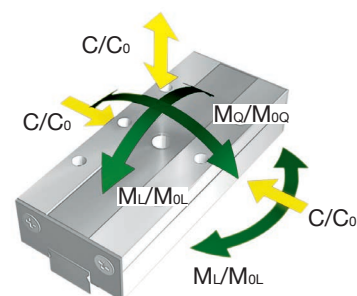
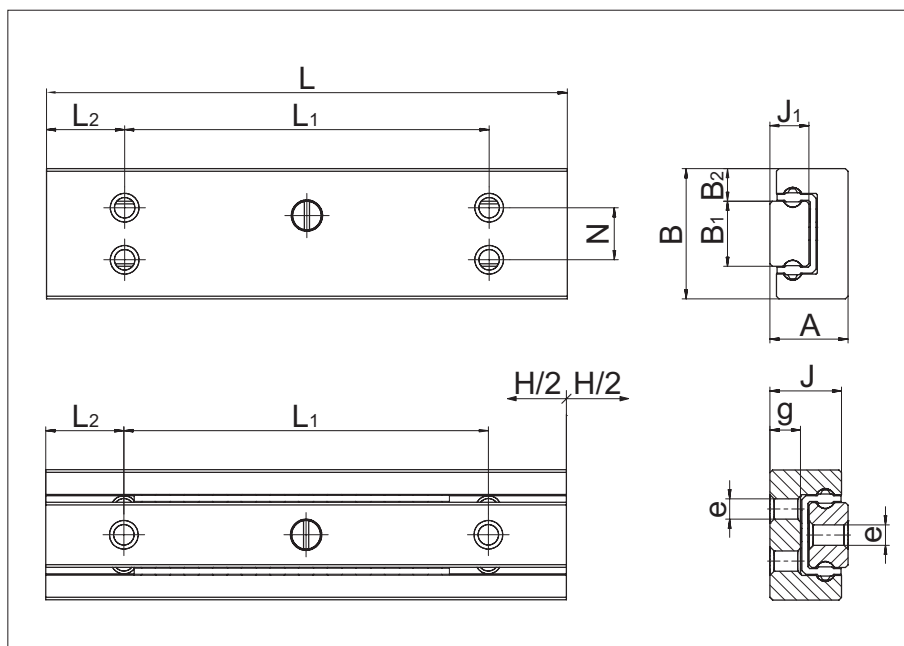
MS 4



Name		Sizes				
		MS 4-10.6	MS 4-15.12	MS 4-20.15	MS 4-25.22	
Dimensions (mm)	A	System height	4	4	4	4
	B	System width	7	7	7	7
	B ₁	Rail width	4	4	4	4
	B ₂	Distance between locating surfaces	1.5	1.5	1.5	1.5
	J	Carriage height	3.7	3.7	3.7	3.7
	J ₁	Rail height	2.1	2.1	2.1	2.1
	H	Stroke	6	12	15	22
	L	System length	10	15	20	25
	L ₁	Attachment hole spacing	5	8	12	16
	L ₂	Attachment hole start/end spacing	2.5	3.5	4	4.5
	e	Thread	M1.6	M1.6	M1.6	M1.6
	g	Usable thread length	1.5	1.5	1.5	1.5
		Ball diameter	1	1	1	1
	Load capacity (N)	C ₀	Static load capacity	277	347	485
C		Dynamic load capacity	207	242	307	337
Torque (Nm)	M ₀₀	Permissible lateral static torque	0.60	0.75	1.04	1.19
	M _{0L}	Permissible static torque lengthwise	0.40	0.61	1.13	1.46
	M ₀	Permissible lateral dynamic torque	0.45	0.52	0.66	0.72
	M _L	Permissible dynamic torque lengthwise	0.30	0.42	0.72	0.88
Weight (g)			1.7	2.6	3.4	4.3

13 MINISLIDE Frictionless Table Product Overview

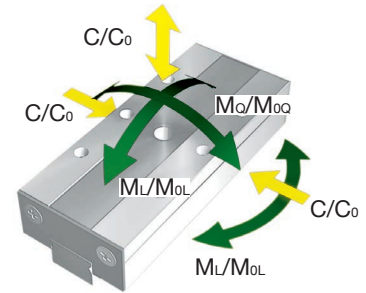
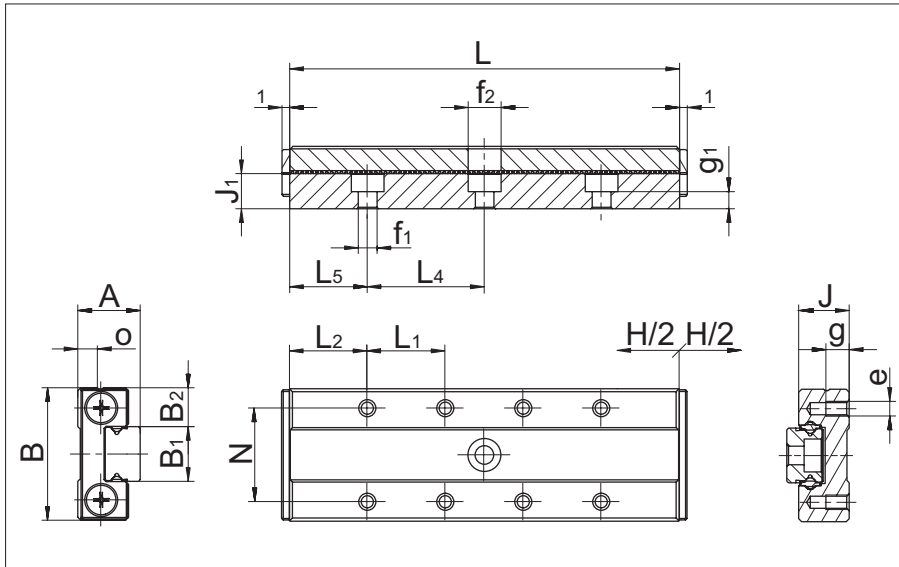
MS 5



Name		Sizes					
		MS 5-15.8	MS 5-20.13	MS 5-30.20	MS 5-40.31	MS 5-50.42	
Dimensions (mm)	A	System height	6	6	6	6	6
	B	System width	10	10	10	10	10
	B1	Rail width	5	5	5	5	5
	B2	Distance between locating surfaces	2.5	2.5	2.5	2.5	2.5
	J	Carriage height	5.5	5.5	5.5	5.5	5.5
	J1	Rail height	3	3	3	3	3
	H	Stroke	8	13	20	31	42
	L	System length	15	20	30	40	50
	L1	Attachment hole spacing	8	12	20	28	36
	L2	Attachment hole start/end spacing	3.5	4	5	6	7
	N	Lateral attachment hole spacing	4	4	4	4	4
	e	Thread	M2	M2	M2	M2	M2
	g	Usable thread length	2.35	2.35	2.35	2.35	2.35
		Ball diameter	1.5	1.5	1.5	1.5	1.5
Load capacity (N)	C0	Static load capacity	780	936	1404	1716	2028
	C	Dynamic load capacity	568	645	857	987	1109
Torque (Nm)	M00	Permissible lateral static torque	2.18	2.62	3.93	4.80	5.68
	M0L	Permissible static torque lengthwise	1.72	2.4	5.15	7.55	10.4
	M0	Permissible lateral dynamic torque	1.59	1.81	2.40	2.76	3.11
	ML	Permissible dynamic torque lengthwise	1.25	1.66	3.14	4.34	5.69
Weight (g)			5.4	7.3	11	14.8	18.6

13 MINISLIDE Frictionless Table Product Overview

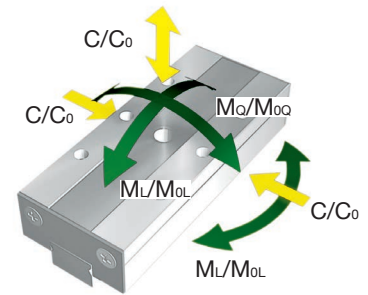
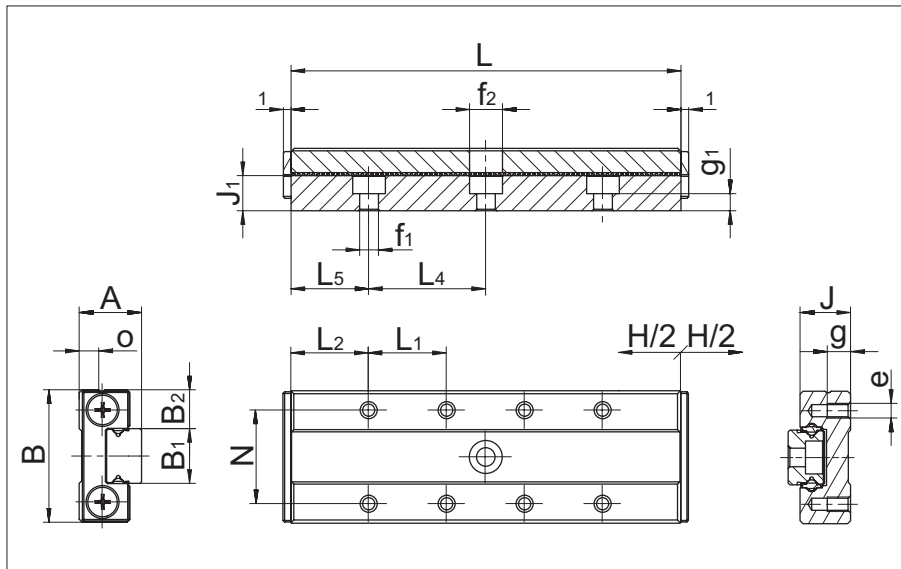
MSQ 7



Name		Sizes					
		MSQ 7-30.20	MSQ 7-40.28	MSQ 7-50.36	MSQ 7-60.50	MSQ 7-70.58	
Dimensions (mm)	A	System height	8	8	8	8	8
	B	System width	17	17	17	17	17
	B ₁	Rail width	7	7	7	7	7
	B ₂	Distance between locating surfaces	5	5	5	5	5
	J	Carriage height	6.5	6.5	6.5	6.5	6.5
	J ₁	Rail height	4.5	4.5	4.5	4.5	4.5
	H	Stroke	20	28	36	50	58
	L	System length	30	40	50	60	70
	L ₁	Attachment hole spacing	10	10	10	10	10
	L ₂	Attachment hole start/end spacing	10	10	10	10	10
	L ₄	Attachment hole spacing	15	15	15	15	15
	L ₅	Attachment hole start/end spacing	7.5	5	10	7.5	5
	N	Lateral attachment hole spacing	12	12	12	12	12
	e	Thread	M2	M2	M2	M2	M2
	f ₁	Attachment hole diameter	2.4	2.4	2.4	2.4	2.4
	f ₂	Screw hole diameter	4.2	4.2	4.2	4.2	4.2
	g	Usable thread length	3	3	3	3	3
	g ₁	Clamping length	2.2	2.2	2.2	2.2	2.2
		Ball diameter	1	1	1	1	1
	Load capacity (N)	C ₀	Static load capacity	1193	1670	2148	2386
C		Dynamic load capacity	609	770	919	989	1124
Torque (Nm)	M _{0L}	Permissible lateral static torque	5.1	7.2	9.2	10.3	12.3
	M _{oL}	Permissible static torque lengthwise	5.0	8.6	13.1	15.8	21.8
	M _o	Permissible lateral dynamic torque	2.6	3.3	4.0	4.3	4.8
	M _L	Permissible dynamic torque lengthwise	2.5	4.0	5.6	6.5	8.5
Weight (g)			24.5	32.6	40.5	48.5	56.3

13 MINISLIDE Frictionless Table Product Overview

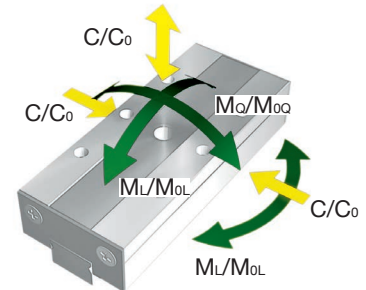
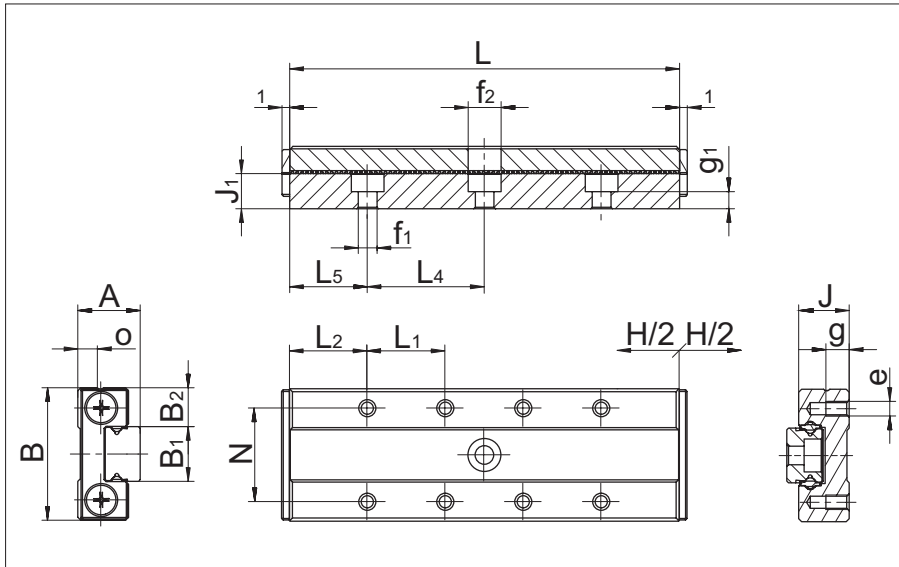
MSQ 9



Name		Sizes					
		MSQ 9-40.34	MSQ 9-50.42	MSQ 9-60.50	MSQ 9-70.58	MSQ 9-80.66	
Dimensions (mm)	A	System height	10	10	10	10	10
	B	System width	20	20	20	20	20
	B ₁	Rail width	9	9	9	9	9
	B ₂	Distance between locating surfaces	5.5	5.5	5.5	5.5	5.5
	J	Carriage height	8	8	8	8	8
	J ₁	Rail height	5.5	5.5	5.5	5.5	5.5
	H	Stroke	34	42	50	58	66
	L	System length	40	50	60	70	80
	L ₁	Attachment hole spacing	10	10	10	10	10
	L ₂	Attachment hole start/end spacing	10	10	10	10	10
	L ₄	Attachment hole spacing	20	20	20	20	20
	L ₅	Attachment hole start/end spacing	10	5	10	5	10
	N	Lateral attachment hole spacing	15	15	15	15	15
	e	Thread	M3	M3	M3	M3	M3
	f ₁	Attachment hole diameter	3.5	3.5	3.5	3.5	3.5
	f ₂	Screw hole diameter	6	6	6	6	6
	g	Usable thread length	3	3	3	3	3
	g ₁	Clamping length	2	2	2	2	2
		Ball diameter	1	1	1	1	1
	Load capacity (N)	C ₀	Static load capacity	1432	1909	2386	2864
C		Dynamic load capacity	692	846	989	1124	1252
Torque (Nm)	M _{0L}	Permissible lateral static torque	7.6	10.1	12.6	15.2	17.7
	M _{0L}	Permissible static torque lengthwise	6.7	10.8	15.8	21.8	28.7
	M ₀	Permissible lateral dynamic torque	3.7	4.5	5.2	6.0	6.6
	M _L	Permissible dynamic torque lengthwise	3.2	4.8	6.5	8.5	10.7
Weight (g)			45.6	56.9	68.1	79.2	90.3

13 MINISLIDE Frictionless Table Product Overview

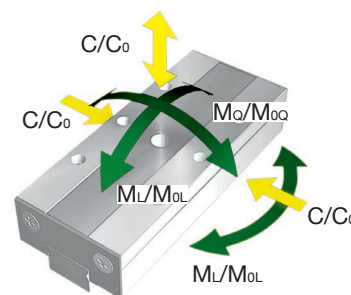
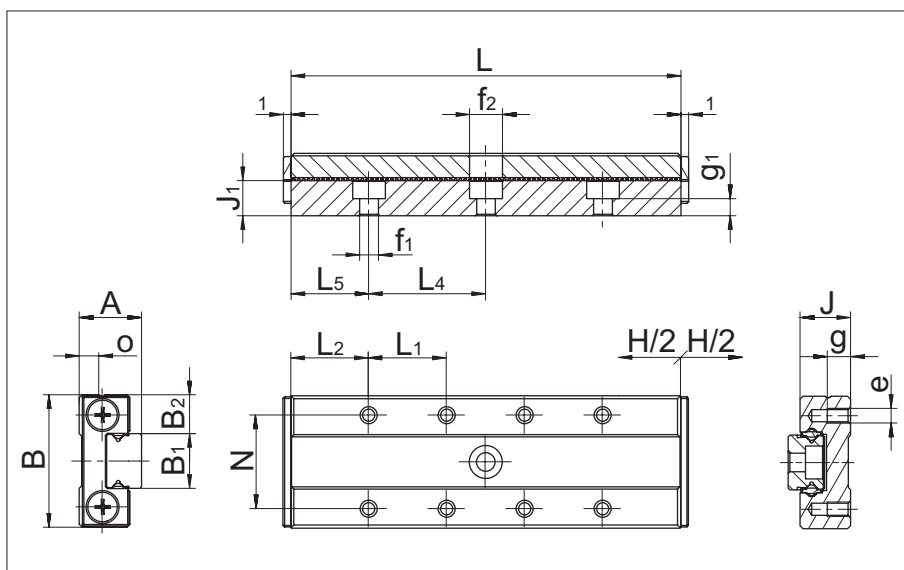
MSQ 12



Name		Sizes				
		MSQ 12-50.45	MSQ 12-60.48	MSQ 12-80.63	MSQ 12-100.70	
Dimensions (mm)	A	System height	13	13	13	13
	B	System width	27	27	27	27
	B ₁	Rail width	12	12	12	12
	B ₂	Distance between locating surfaces	7.5	7.5	7.5	7.5
	J	Carriage height	10	10	10	10
	J ₁	Rail height	7.5	7.5	7.5	7.5
	H	Stroke	45	48	63	70
	L	System length	50	60	80	100
	L ₁	Attachment hole spacing	15	15	15	15
	L ₂	Attachment hole start/end spacing	10	7.5	10	12.5
	L ₄	Attachment hole spacing	25	25	25	25
	L ₅	Attachment hole start/end spacing	12.5	5	15	12.5
	N	Lateral attachment hole spacing	20	20	20	20
	e	Thread	M3	M3	M3	M3
	f ₁	Attachment hole diameter	3.5	3.5	3.5	3.5
	f ₂	Screw hole diameter	6	6	6	6
	g	Usable thread length	3.5	3.5	3.5	3.5
	g ₁	Clamping length	3	3	3	3
		Ball diameter	1.5	1.5	1.5	1.5
	Load capacity (N)	C ₀	Static load capacity	2685	3759	5370
C		Dynamic load capacity	1427	1806	2318	2934
Torque (Nm)	M ₀₀	Permissible lateral static torque	18.9	26.5	37.9	53.0
	M _{0L}	Permissible static torque lengthwise	15.7	27.0	49.5	90.1
	M ₀	Permissible lateral dynamic torque	10.1	12.7	16.3	20.7
	M _L	Permissible dynamic torque lengthwise	8.3	12.9	21.4	35.1
Weight (g)			103.9	124.4	165.5	206.5

13 MINISLIDE Frictionless Table Product Overview

MSQ 15



Name		Sizes				
		MSQ 15-70.66	MSQ 15-90.70	MSQ 15-110.96	MSQ 15-130.102	
Dimensions (mm)	A	System height	16	16	16	16
	B	System width	32	32	32	32
	B ₁	Rail width	15	15	15	15
	B ₂	Distance between locating surfaces	8.5	8.5	8.5	8.5
	J	Carriage height	12	12	12	12
	J ₁	Rail height	9.5	9.5	9.5	9.5
	H	Stroke	66	70	96	102
	L	System length	70	90	110	130
	L ₁	Attachment hole spacing	20	20	20	20
	L ₂	Attachment hole start/end spacing	15	15	15	15
	L ₄	Attachment hole spacing	40	40	40	40
	L ₅	Attachment hole start/end spacing	15	5	15	5
	N	Lateral attachment hole spacing	25	25	25	25
	e	Thread	M3	M3	M3	M3
	f ₁	Attachment hole diameter	3.5	3.5	3.5	3.5
	f ₂	Screw hole diameter	6	6	6	6
	g	Usable thread length	4	4	4	4
	g ₁	Clamping length	5	5	5	5
		Ball diameter	2	2	2	2
Load capacity (N)	C ₀	Static load capacity	4773	7637	8592	11456
	C	Dynamic load capacity	2611	3628	3940	4820
Torque (Nm)	M ₀₀	Permissible lateral static torque	42.5	68	76.5	102.0
	M _{0L}	Permissible static torque lengthwise	36.7	80.9	99.5	166.6
	M ₀	Permissible lateral dynamic torque	23.2	32.3	35.1	42.9
	M _L	Permissible dynamic torque lengthwise	20.1	38.4	45.6	70.1
Weight (g)			216.2	277.5	338.6	399.5

13.3.9 Lubrication

Lubrication is a design element and must therefore be defined during the development phase of a machine or application. If the lubrication is only selected after design and construction is complete, based on our experience this is likely to lead to considerable performance difficulties. A carefully thought out lubrication concept is therefore a sign of a state-of-the-art and well devised design.

Parameters to be taken into account in selecting the lubricant include:

- Operating conditions (speed, acceleration, stroke, load, installation orientation)
- External influences (temperature, aggressive media or radiation, contamination, humidity, vacuum, cleanroom)
- Subsequent lubrication (Period of time, amount, compatibility)
- Compatibility (with other lubricants, with corrosion protection and with integrated materials such as plastic)

Technical and economic considerations determine the lubricant used.

MINISLIDE initial lubrication

MINISLIDE products are lubricated with Klübersynth GE 46-1200 at the factory.

MINISLIDE subsequent lubrication intervals

The lubricant should be applied to the guideway. The subsequent lubrication interval depends on different influencing variables, e.g. load, working environment, speed, etc. and can therefore not be calculated. The lubrication area should therefore be monitored over a longer period.

A) Subsequent lubrication with oil

For subsequent lubrication with oil, mineral oil CLP (DIN 51517) or HLP (DIN 51524) with a viscosity range between ISO VG32 and ISO VG150 in accordance with DIN 51519 is recommended. During lubrication, the carriages/guideways should be moved along the entire stroke length so that the lubricant is distributed correctly.

B) Subsequent lubrication with grease

For lubrication with grease, lubricating grease KP2K or KP1K is recommended in accordance with DIN 51825. During lubrication, the carriages/guideways should be moved along the entire stroke length so that the lubricant is distributed correctly.

Custom lubricants

Special lubricants are used for specific purposes. For example lubricants for use in vacuums, cleanrooms, for high or low temperatures, for high speeds or high-frequency strokes. SCHNEEBERGER can deliver the guideways with the appropriate lubricant for any of these areas of application (see chapter 14.2).

14 MINISLIDE Options

14.1 Push Force Defined (VD)

Demanding applications may only perform well if the guideway operates within a specific range of push force. These parameters can be set by SCHNEEBERGER according to customer specifications.

14.2 Customer-specific Lubrication (KB)

The fundamentals of lubrication are described in chapter 13.3.9. Special lubricants are used for specific purposes. For example lubricants for use with vacuums, extreme temperatures, high speeds, heavy loads or high stroke frequencies.

SCHNEEBERGER can supply guideways with the appropriate lubricant for all of these areas of application.



14.3 Cleaned and Vacuum-packed (US)

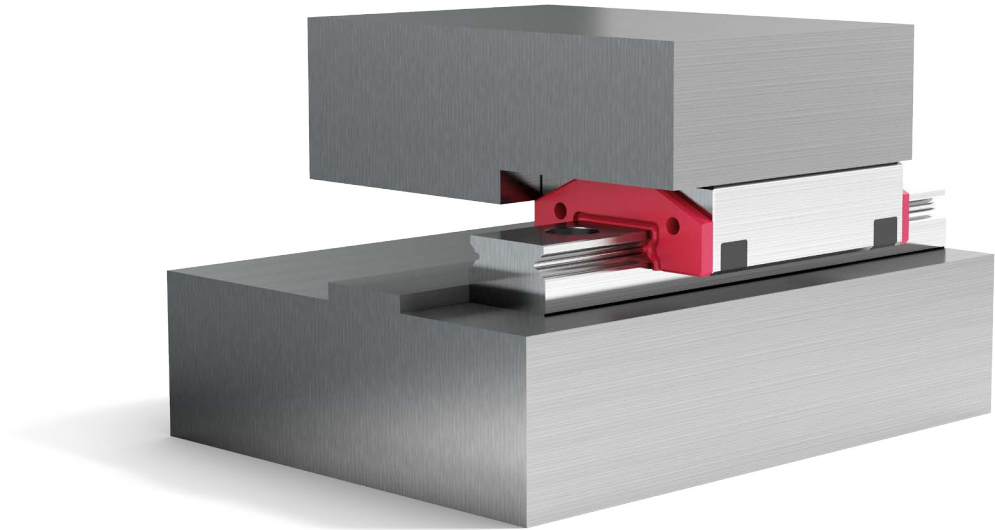
Guideways operated in a vacuum must be cleaned and packaged accordingly. Cleaning takes place in our cleanroom. The packaging consists of an inner, airtight layer and an outer, protective layer.

Please state your required cleanroom class (ISO 7 or ISO 6) when making enquiries.



MINISLIDE MSQ cleaned and vacuum-packed

15 Configuration of the Base Structure



15.1 General

MINI-X are high-precision components. Flatness requirements of the base structure are correspondingly high so that surface inaccuracies are not transferred to the guideways.

MINI-X guideways perform best when mounted on a rigid structure with a high level of geometric accuracy. Inaccuracies in the guideway assembly surfaces have a negative impact on their overall accuracy, running behaviour, push force and service life. Unstable assembly surfaces can increase the internal forces within the guideway assembly, which also adversely affects service life. Due to their lower rigidity and limited machining accuracy, great care must be taken when designing base structures made of light metal for high-precision applications.

The guideways are compressed against the mounting surfaces by the attachment screws with a high level of force. To prevent relaxation of the assembly, a high surface contact ratio is required. This is achieved by means of high surface quality.

15.2 Surface Quality

The surface quality of the supporting surface does not have a direct influence on the function and running behaviour of the guideway, but it does on the static position accuracy. Carriages and guide rails are compressed against the mounting surfaces by the attachment screws with a high level of force. To prevent relaxation of the assembly, a high surface contact ratio is required. This is achieved by means of high surface quality.

The accuracy of the application critically determines the required surface quality of the reference and locating surfaces. It is therefore necessary to ensure the following:

- High-precision applications max. Ra value of 0.4
- Standard applications max. Ra value of 1.6

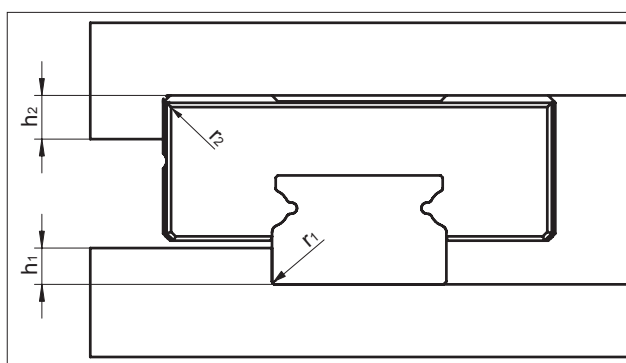
15 Configuration of the Base Structure

15.3 Reference Height and Corner Radii

Observance of the following height specifications for the reference surfaces guarantees secure absorption of force and sufficient clearance for the carriages. The carriages and guide rails feature a chamfer on the edges of the reference surfaces. The corner radii specified in the following tables are maximum values which ensure that carriages and guide rails contact the mounting surfaces correctly.

The reference side of the carriage is opposite the carriage side with the company logo / type designation. The guideway can be located on both sides.

The dimensions listed for the reference surface should be applied to ensure optimal alignment of the guideway and an easy installation.



MINIRAIL and MINISCALE PLUS

Rail length	h_1	r_{1max}	r_{2max}	h_2
7	1.2	0.2	0.3	2.5
9	1.5	0.3	0.4	3
12	2.5	0.4	0.4	4
15	3.5	0.5	0.5	5
14	1.8	0.2	0.4	2
18	3	0.3	0.5	3
24	3.5	0.4	0.5	4
42	3.5	0.5	0.6	5

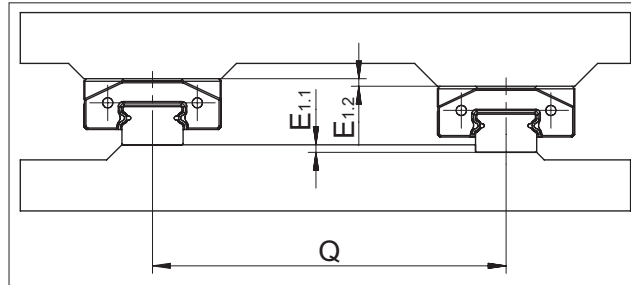
MINISLIDE

Rail length	h_1	r_{1max}	r_{2max}	h_2
4	0.2	0.1	0.1	1.2
5	0.4	0.2	0.1	1.8
7	1.0	0.2	0.3	2.5
9	1.5	0.3	0.4	3
12	2.5	0.4	0.4	4
15	3.0	0.5	0.5	5

15 Configuration of the Base Structure

15.4 Geometric and Position Accuracy of the Base Surfaces

15.4.1 Permissible Lateral Deviation E_1 for MINIRAIL and MINISCALE PLUS



Calculating height deviation E_1

$$E_1 = Q \cdot V_{vsp}$$

E_1 = height deviation $E_{1.1} + E_{1.2}$ in mm
 Q = guide rail spacing in mm
 V_{vsp} = preload factor (see following table)

Dimension of the carriages	Preload factor V_{vsp}	
	Preload class V0	Preload class V1
7, 9, 12, 15	0.00025 Q	0.00015 Q
14, 18, 24, 42	0.00013 Q	0.00008 Q

Calculation example for E_1

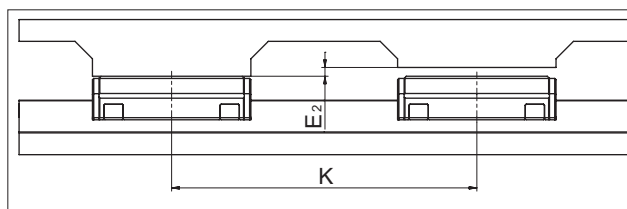
Example: Type MNN 12 in preload class V1
 Spacing $Q = 120$ mm

Calculation: Type MNN 12 in preload class V1 results in a preload factor V_{vsp} of 0.00015
 $0.00015 \times 120 \text{ mm} = \underline{0.018 \text{ mm}}$

Comment: The deviations of $E_{1.1}$ and $E_{1.2}$ ($= E_1$) must not exceed 0.018 mm.

15 Configuration of the Base Structure

15.4.2 Permissible Longitudinal Deviation E_2 for MINIRAIL and MINISCALE PLUS



Calculating height deviation E_2

$$E_2 = K \cdot V_{vsp}$$

E_2 = height deviation in mm
 Q = carriage spacing in mm
 V_{vsp} = preload factor (see following table)

Carriage dimensions, type MNNS (short)	Preload factor V_{vsp}
7, 9, 12, 15	0.00010 K
Carriage dimensions, type MNN (standard)	Preload factor V_{vsp}
7, 9, 12, 15	0.00005 K
14, 18, 24, 42	0.00004 K
Carriage dimensions, type MNNL (long)	Preload factor V_{vsp}
7, 9, 12, 15	0.00004 K
14, 18, 24, 42	0.00003 K
Carriage dimensions, type MNNXL (extra long)	Preload factor V_{vsp}
7, 9, 12, 15	0.00003 K

Calculation example for E_2

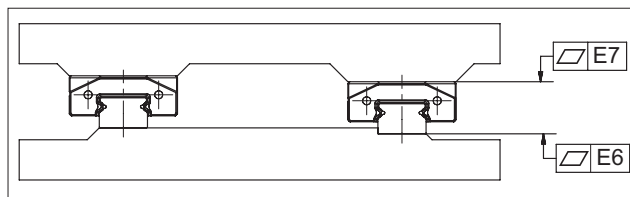
Example: Type MNNL 42
 Spacing $K = 700$ mm

Calculation: Type MNNL 42 results in a preload factor V_{vsp} of 0.00003
 $0.00003 \times 700 \text{ mm} = 0.021 \text{ mm}$

Comment: The deviations of E_2 must not exceed 0.021 mm.

15 Configuration of the Base Structure

15.4.3 Flatness of the Mounting Surfaces E₆ and E₇



For the flatness of the guideway surface E6 across the entire length, referring to the values for running accuracy for the appropriate accuracy class as described in chapter 7.2.4 is recommended.

For the flatness of the carriage surface E7, the values in the table below should be targeted.

MINIRAIL and MINISCALE PLUS

Dimensions	Flatness (in μm)
7	3
9	
12	4
15	
14	
18	5
24	
42	

MINISLIDE MS and MSQ

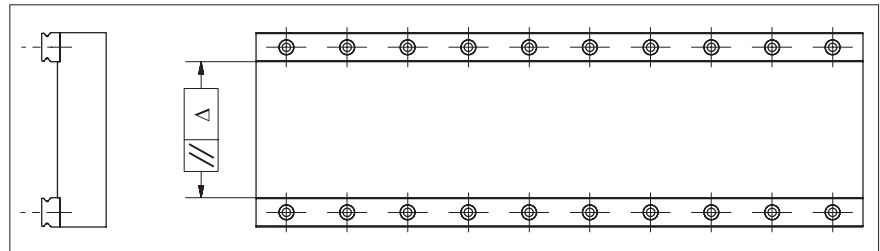
For the flatness of the carriage surface E7, the values in the table below should be targeted.

Dimensions	Flatness (in μm)
4	2
5	
7	3
9	
12	4
15	

15 Configuration of the Base Structure

15.4.4 Parallelism Tolerance of the Reference Surfaces for MINIRAIL and MINISCALE PLUS

Guide rails which are not aligned in parallel cause unplanned loads in the guide system over its stroke length, subsequently subjecting the tracks to additional stress. This decreases running accuracy of the guideways and can shorten the service life. The parallelism tolerances Δ below must therefore be adhered to.

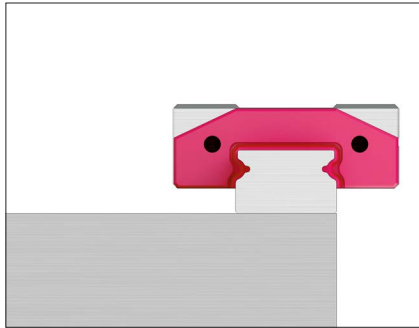


Preload class	Rail widths in mm			
	7 and 14	9 and 18	12 and 24	15 and 42
V0	Δ 0.003 mm	Δ 0.005 mm	Δ 0.008 mm	Δ 0.010 mm
V1	Δ 0.002 mm	Δ 0.003 mm	Δ 0.004 mm	Δ 0.005 mm

16 Installation and Adjustment Guidelines for MINIRAIL and MINISCALE PLUS

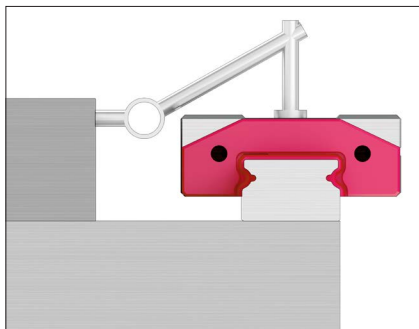
16.1 Methods for Aligning the Guideways

Alignment of the guide rails depends on the level of accuracy needed and must be specified in the construction phase of the machine, since this is when the number of reference surfaces as well as their positions are determined. A distinction is made between the following types of alignment:



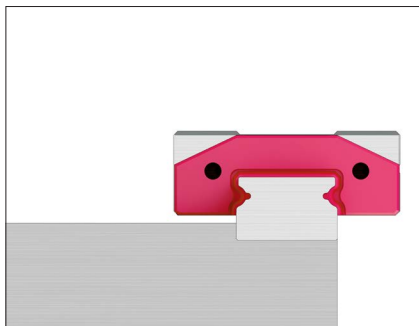
No reference edge available

- Alignment by hand without tools
- Not recommended
- Very low accuracy and lateral force absorption



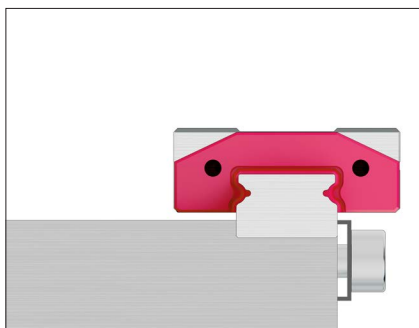
No reference edge available

- Alignment by hand with tools, e. g. aligning gauge, guide strip, dial gauge, installation carriage
- Medium to high level of accuracy depending on the complexity
- Low accuracy and lateral force absorption



Lateral reference

- Alignment by means of pressing against the reference surface
- High level of accuracy, depending on the accuracy of the reference edge
- Very quick due to predefined reference edge



Lateral reference surface and additional lateral clamping

- Alignment by pressing against the reference surface with the help of lateral clamping elements
- Very high level of accuracy, depending on the accuracy of the reference edge
- Very quick due to predefined reference edge

16 Installation and Adjustment Guidelines for MINIRAIL and MINISCALE PLUS

16.2 Installation Methods

Different criteria must be taken into consideration when choosing an appropriate installation method and defining the number and arrangement of the lateral reference surfaces. These are:

16.2.1 Load

16.2.2 Accuracy

16.2.3 Installation time and engineering expense

16.2.4 Installation location and specifics

16.2.1 Load

Forces in the direction of tension/compression do not have any influence on the lateral reference surfaces. If side loads emerge which exceed the permitted lateral force, references and lateral clamping must be specified. Number and orientation depend on the forces that occur.

The reference surfaces should be arranged based on the direction of force of the main load. Lateral references should also be provided when vibration and impacts occur. They also increase the rigidity of the system.

16.2.2 Accuracy

Lateral reference surfaces are recommended if a high level of guideway accuracy is required. The references make installation easier and reduce the complexity involved in ensuring accuracy. The guideway accuracy is determined by the straightness of the reference surfaces and by the guide rail compression process and/or by the accuracy of the lateral clamping.

16.2.3 Installation Time and Engineering Expense

Reference surfaces make installation easier and reduce the complexity involved in aligning the guide rails.

With careful manual alignment of the guideway, it is possible to dispense with the need for lateral reference surfaces. When deciding on a method, the complexity of the installation should be carefully considered and compared with the design and technical manufacturing complexity.

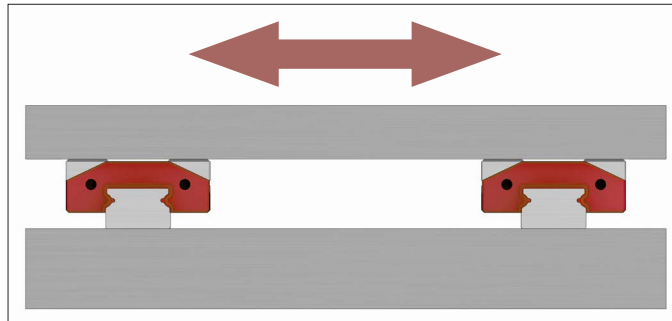
16.2.4 Installation Location and Specifics

Reference surfaces and lateral clamping require additional installation space and access to the installation areas. It is therefore important to check whether the provided references and adjustments are compatible with the installation area in the machine.

Shown below are some typical installation methods which differ in terms of the number and orientation of the reference surfaces, the transferable lateral forces and the complexity of installation, and are intended to serve as a design aid.

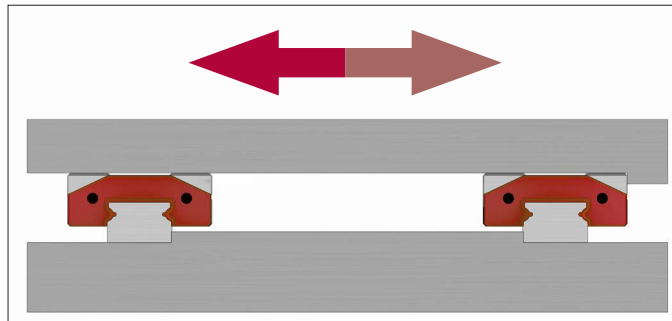
16 Installation and Adjustment Guidelines for MINIRAIL and MINISCALE PLUS

Installation option 1



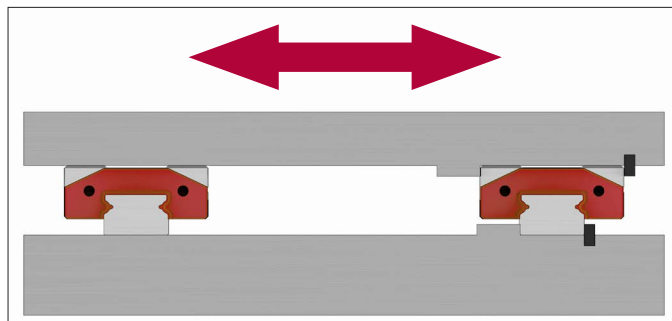
- No reference surfaces
- The forces are transferred by friction locking
- Long installation time and high engineering expense

Installation option 2



- Both guide rails with one reference
Carriage side with opposite reference
- Simple installation
- High lateral force absorption from one direction, e.g. for hanging installation

Installation option 3



- A guide rail and carriage with reference and lateral clamping
- For high lateral forces from both directions (a guide rail with carriage will take the majority of the lateral force)
- Relatively simple installation

16 Installation and Adjustment Guidelines for MINIRAIL and MINISCALE PLUS

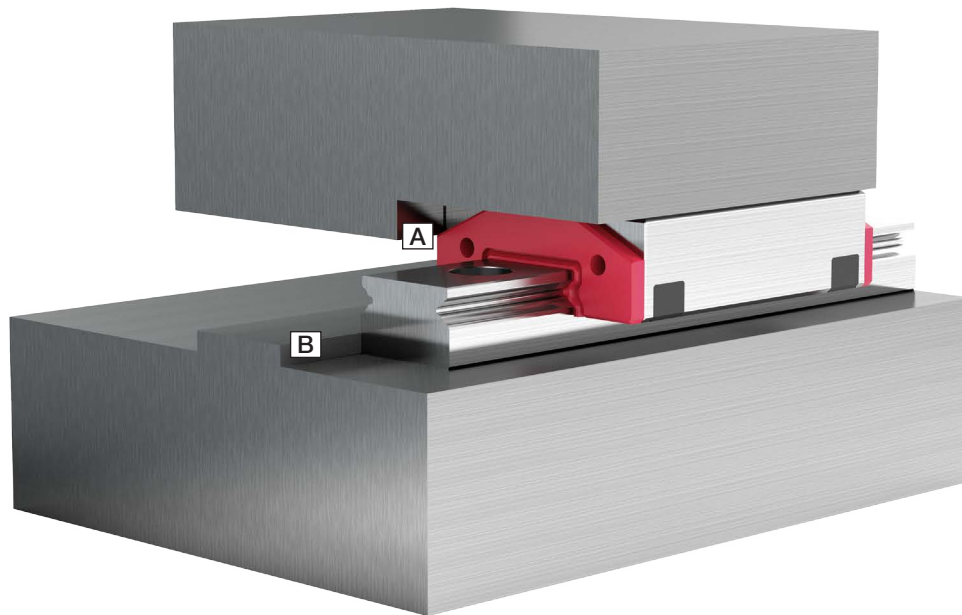
16.3 Preparing for the Installation

16.3.1 Required Tools and Equipment

- Oil stone
- Lubricant
- Torque wrench
- Fastening screws

16.3.2 Preparing the Reference Surfaces

- Check reference surfaces of the machine bed and mounting plate for shape and position accuracy.
- Clean all reference surfaces thoroughly. Remove ridges and surface irregularities with an oil stone.
- Use mineral spirits or rubbing alcohol to clean the reference and supporting surfaces of guideways and carriages. Do not use paint thinner!
- Clean dirty guideways with a soft, lint-free cloth. Do not use compressed air!
- Lightly oil the reference surfaces on the guideways and carriages.



Reference surfaces

A Reference on the mounting plate for the carriage

B Reference on the machine bed for the guideway (both sides of the guideway can be used as reference surfaces)

16 Installation and Adjustment Guidelines for MINIRAIL and MINISCALE PLUS

16.3.3 Lubrication of MINIRAIL



Initial lubrication

Unless specified otherwise, carriage and guideway are delivered separately (see chapter 18.1). They are delivered unlubricated and must have a suitable lubricant for the application applied before operating.

A) Oil lubrication

For lubrication with oil, mineral oil CLP (DIN 51517) or HLP (DIN 51524) with a viscosity range between ISO VG32 and ISO VG150 in accordance with DIN 51519 is recommended.

Guideway:

The tracks of the guideway should be coated in a thin film of oil using a lint-free cloth soaked with oil (also applies when using the optional LUBE-S. See chapter 8.1).

Carriage:

The wipers on the carriages each feature two lubrication holes (see chapter 7.1.8), so that the left and right ball recirculation pathways can be lubricated separately. During lubrication, the carriages should be moved along the entire length of the rail so that the lubricant is applied to both the carriage and guideway. Ensure both tracks are properly lubricated.



Relubrication set (MNW), contents 7 ml

A relubrication set with KLÜBER Structovis GHD can be ordered from SCHNEEBERGER, part number MNW.

B) Grease lubrication

For lubrication with grease, lubricating grease KP2K or KP1K is recommended in accordance with DIN 51825.

Guideway:

The tracks of the guideway should be coated in a thin film of grease using a lint-free cloth (also applies when using the optional LUBE-S. See chapter 8.1).

Carriage:

The following quantities of grease should be applied to the ball bearings with an applicator.

Short carriages	MNNS 7	MNNS 9	MNNS 12	MNNS 15				
Grease quantity in cm ³	0.03	0.05	0.09	0.16				
Standard carriages	MNN 7	MNN 9	MNN 12	MNN 15	MNN 14	MNN 18	MNN 24	MNN 42
Grease quantity in cm ³	0.04	0.09	0.15	0.25	0.05	0.11	0.20	0.33
Long carriages	MNNL 7	MNNL 9	MNNL 12	MNNL 15	MNNL 14	MNNL 18	MNNL 24	MNNL 42
Grease quantity in cm ³	0.05	0.11	0.20	0.35	0.07	0.14	0.26	0.45
Extra long carriages	MNNXL 7	MNNXL 9	MNNXL 12	MNNXL 15				
Grease quantity in cm ³	0.07	0.14	0.26	0.45				

After the ball bearings have been greased, the carriages should be moved along the entire length of the rail so that the lubricant is applied to both the carriage and guideway.

16 Installation and Adjustment Guidelines for MINIRAIL and MINISCALE PLUS

Relubrication intervals

The relubrication interval depends on many variables, e.g. load, working environment, speed, etc. and therefore cannot be calculated. The lubrication point must therefore be observed over a longer period of time.

A) Relubrication with oil



Relubrication set (MNW), contents 7 ml

A relubrication set with KLÜBER Structovis GHD can be ordered from SCHNEEBERGER, part number MNW.

The two lubrication holes in the front plates allow the ball recirculation pathways to be lubricated with oil directly (see chapter 7.1.8). Ensure both tracks are properly lubricated.

During lubrication, the carriages should be moved along the entire length of the rail so that the lubricant is applied to both the carriage and guideway.

B) Relubrication with grease

The tracks of the guideway should be coated in a thin film of grease using a lint-free cloth. The carriages should then be moved along the entire length of the rail so that the lubricant is applied to the ball bearings and distributed along the guideway.

16.3.4 Lubrication of MINISCALE PLUS

Please refer to the installation instructions in the download section of www.schneeberger.com

16 Installation and Adjustment Guidelines for MINIRAIL and MINISCALE PLUS

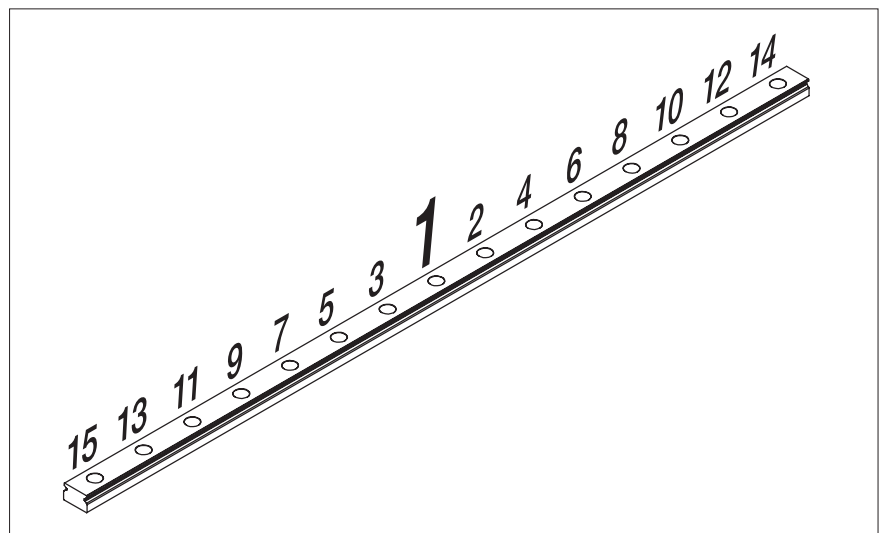
16.4 Installation

16.4.1 General

- Before installation, the guideway, machine bed, mounting plate and fastening screws must all be at room temperature
- Always tighten the fastening screws with a torque wrench. See chapter 16.5 for torque values
- Always press the reference surface of the guideway against the reference surface of the machine bed. The guideway can be located on both sides, the reference side of the carriage is opposite the carriage side with the company logo / type designation

16.4.2 MINIRAIL and MINISCALE PLUS

- Alternate between sides of the guideway, starting at the middle, when tightening fastening screws. Pay attention to guideways on multi-part MINIRAIL systems (chapter 8.2)



Fixing MINIRAIL guideways correctly

16.4.3 MINIRAIL



A protective plastic guideway is included on delivery (matched deliveries are the exception). The carriages should be transferred directly from the protective plastic guideway onto the steel guideway. This prevents dirt from getting into the carriages or the carriages from tilting which could lead to the loss of ball bearings.



Carriage on the protective plastic guideway before being transferred onto the steel guideway

16 Installation and Adjustment Guidelines for MINIRAIL and MINISCALE PLUS

16.5 Tightening Torques for the Fastening Screws

The recommended torque values can be found in the table. These values apply to oiled screws with a coefficient of friction of 0.12.

The coefficient of friction can be as low as 0.07 for lubricated screws. The corresponding torque values should be reduced by half.

The following table shows the torque values for the fastening screws of strength class 12.9 (friction coefficient 0.125) and of the strength class A2-70 (friction coefficient 0.2) in accordance with DIN 912:

Thread size	Maximum tightening torque in Ncm	
	Strength class 12.9	Strength class A2-70
M1.6	28	20
M2	60	30
M3	210	110
M4	500	260

16.6 Specific Information on MINISCALE PLUS

Information on installation and start-up of MINISCALE PLUS can be found in the download section of www.schneeberger.com.

17 Load Carrying Capacity and Service Life

17.1 Principles

The load capacities are based on the principles of DIN 636.

In accordance with DIN in most applications a permanent overall deformation of 0.0001 times the rolling element diameter can be permitted without adversely affecting the operating behaviour of the bearing. Consequently, the static load capacity C_0 is set sufficiently high that the aforementioned deformation occurs approximately when the equivalent static load corresponds to the static load capacity. Being guided by the dynamic load capacity C is recommended so that the aforementioned overall deformation does not occur.

The dynamic load capacity C is the load at which a nominal service life L of 100 km of travel distance is achieved. It is important to note when calculating the service life that not only the load, which acts vertically on the guideway, should be taken into account but also the load spectrum of all acting forces and moments.

The service life corresponds to the total travel distance in meters which a guideway facilitates. And this is before any noticeable material fatigue on one of the roller guideway elements. The nominal service life is achieved when 90% of the guideways of identical construction reach or exceed the corresponding travel distances under normal operating conditions.

Critical for the dimensioning of the guideways are the loads occurring proportionally with the dynamic load capacity C .

Definition of service life

As previously mentioned, the dynamic load capacity C_{100} is based on a service life of 100 km. Other manufacturers frequently indicate the load capacity C_{50} for a service life of 50 km. The resulting load capacities from this are more than 20% higher than specified by the DIN ISO standard.

Conversion example for ball bearings

Convert C_{50} load capacities to C_{100} in accordance with the DIN ISO standard:

$$C_{100} = 0.79 \cdot C_{50}$$

Convert C_{100} load capacities to C_{50} :

$$C_{50} = 1.26 \cdot C_{100}$$

C_{50} = dynamic load capacity C in N for 50 km of travel distance
 C_{100} = dynamic load capacity C in N for 100 km of travel distance, defined in accordance with DIN ISO standard

17 Load Carrying Capacity and Service Life

17.2 Calculation of Service Life L in Accordance with the DIN ISO Standard

17.2.1 The Formula for Calculating the Nominal Service Life for Ball Guideways in Meters is as follows:

$$L = a \cdot \left(\frac{C_{\text{eff}}}{P} \right)^3 \cdot 10^5 \text{ m}$$

a = Event probability factor
 C_{eff} = Effective load carrying capacity N
 P = Dynamic, equivalent load in N
 L = Nominal service life in m

Event probability factor a

The load carrying capacities for roller-contact bearings correspond to the DIN ISO standard. This represents a value from the service life calculation, which has a 90% chance of being exceeded during operational use of the guideway.

If the previously mentioned theoretical service life probability factor of 90% is not sufficient, the service life values will need to be adjusted by a factor a.

Event probability in %	90	95	96	97	98	99
Factor a	1	0.62	0.53	0.44	0.33	0.21

17.2.2 The Formula for Calculating Nominal Service Life in Hours is as follows:

$$L_h = \frac{L}{2 \cdot s \cdot n \cdot 60} = \frac{L}{60 \cdot v_m}$$

L = Nominal service life in m
 L_h = Nominal service life in h
 s = Stroke length in m
 n = Stroke frequency in min⁻¹
 v_m = Medium travelling speed in m/min

17.2.3 Effective Load Carrying Capacity C_{eff}

Constructive and external influences can reduce the dynamic load capacity C of MINI-X products in such a way that C_{eff} must be calculated.

$$C_{\text{eff}} = f_K \cdot C$$

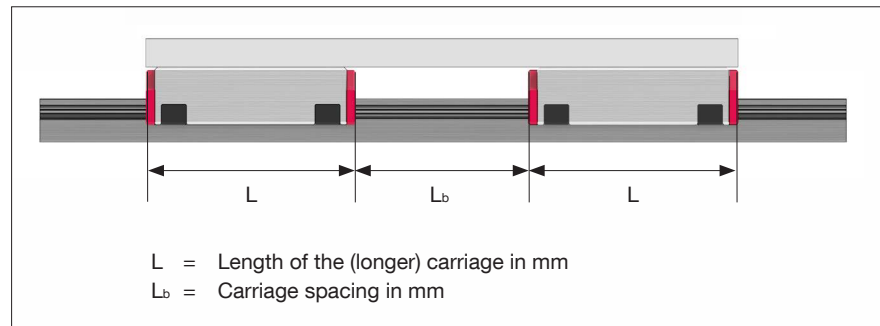
C_{eff} = Effective load carrying capacity N
 f_K = Contact factor
 C = Maximum permissible dynamic load carrying capacity in N

17 Load Carrying Capacity and Service Life

Contact factor f_k

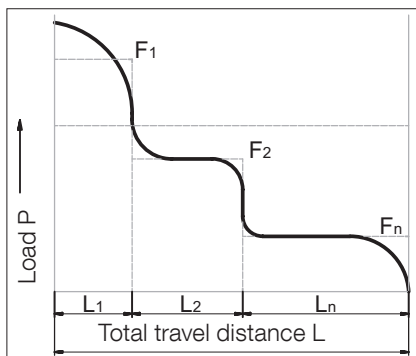
If multiple carriages are mounted back-to-back with minimal spacing ($L_b < L$), an even weight distribution will be difficult to achieve due to the manufacturing tolerances of the guideway elements and mounting surfaces. Installation situations such as these can be allowed for with the contact factor f_k :

Number of carriages	1	2	3	4	5
Contact factor f_k	1	0.81	0.72	0.66	0.62



17.2.4 Dynamically Equivalent Load P

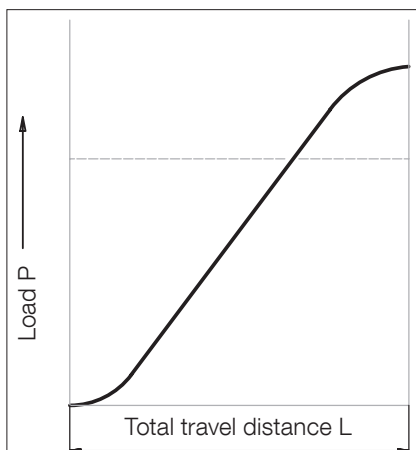
Stepped load



The loads (F) acting on a linear guideway system are subject to frequent fluctuations during operation. This set of circumstances should be taken into account when calculating service life. The varying load absorption of the guideway at varying operating conditions during the travel distance is described as being the dynamic equivalent load P .

$$P = \sqrt[3]{\frac{1}{L}(F_1^3 \cdot L_1 + F_2^3 \cdot L_2 + \dots + F_n^3 \cdot L_n)}$$

Sinusoidal load



$$P = 0.7 F_{max}$$

- P = Equivalent load in N
- $F_1 \dots F_n$ = Individual load in N during the partial travel distance $L \dots L_n$
- F_{max} = Max. load in N
- L = $L_1 + \dots + L_n$ = Total travel during one load cycle in mm
- $L_1 \dots L_n$ = Partial travel distance in mm of one individual load during a load cycle

18 Handling, Storage and Transport

18.1 Delivered Condition (Standard Version)

All guideway components are delivered in adequate packaging. Accessories are included in separate packaging.



MINIRAIL guideways are delivered unlubricated as standard (lubrication in the factory on request) so that they can be lubricated in a way specific to the required application.

Guideways

The guideways are packed in VCI paper as standard.



Packaging of MINIRAIL guideways

Carriages

The carriages are delivered in varying sizes of packaging depending on the quantity ordered. They are mounted onto a plastic guide rail which provides protection during transport and aids in installation.



Packaging of MINIRAIL carriages

Delivered as a set

Carriages and guideways are delivered mounted (including for «height-matched carriages HA» or «push force defined VD» options).



MINIRAIL package as a set

MINISCALE PLUS

The complete axis (guideway with carriage) is delivered as a ready-built set. All components (MINISCALE PLUS and MINIRAIL) are lubricated with KLÜBER Isoflex NBU15.



MINISCALE PLUS packaged as a set



Important:
Please use the order form on our website. (Downloads/Order forms)

MINISLIDE

MINISLIDE products are lubricated with Klübersynth GE 46-1200 lubricant and are delivered ready to install.



MINISLIDE packaging

18 Handling, Storage and Transport

18.2 Handling and Storage

MINI-X products are high-precision components and should be handled with care. For transportation of these products in-house, the following points should therefore be noted:

- Transport guideways and accessories in their original packaging
- Protect guideways against impacts
- Always transport MINIRAIL and MINISCALE PLUS carriages on guide rails or on the protective plastic rail

The following instructions should be noted to protect against damage:

- Storage in the original packaging is only possible for a limited period. The condition of the products should be checked at regular intervals.
- Do not store the products in the open. Protect them against moisture and humidity (10% – 70% non-condensing)
- Pay attention to the temperature:

MINIRAIL	-40° C to + 80° C
MINISCALE PLUS	-40° C to + 80° C
MINISLIDE MS	-40° C to + 80° C
MINISLIDE MSQ	-40° C to + 150° C
- Only remove the products from their original packaging at their installation location and immediately prior to assembly.
- For guideways that are delivered ready-lubricated, the lubricant should be checked (the service life of the lubricant is limited).
- Always store MINIRAIL and MINISCALE PLUS carriages on the guide rail or plastic rail so that the rolling elements are protected.

Improper handling of the guideways can lead to preliminary damage and thus to premature failure. Installation should therefore only be carried out by a qualified technician.

19 Ordering Information

19.1 MINIRAIL

Carriages and guideways should be ordered separately

Carriages	100	MNN		9-				G1-			LS-	VD-	HA-	KB-	US-	AS, AL, OA
Guideways	50		MN	9-	155-	7.5-	7.5-	G1-	V1-	ZG						
Quantity																
Carriage type	MNNS ^(B) , MNN, MNNL, MNNXL ^(B)															
Rail type	MN															
Size	7, 9, 12, 15, 14, 18, 24, 42															
Rail length L ₃	in mm															
Start hole spacing L ₅ ^(C)	in mm															
End hole spacing L ₁₀ ^(C)	in mm															
Accuracy class	G1 or G3															
Preload class	V0 or V1															
Multi-part guideways	ZG															
LUBE-S long-term lubrication	LS															
Defined push force ^(A)	VD															
Height-matched carriages ^(A)	HA															
Customer-specific lubrication	KB															
Cleaned with ultrasound, vacuum packed	US															
Wipers ^(D)	AS, AL or OA															

^(A) This option is delivered as a set (carriage mounted on guideway)

^(B) Not available in sizes 14, 18, 24 and 42

^(C) Only to be quoted for non-standard orders

^(D) Standard wipers will be delivered unless this is stated. Type AL is only available for sizes 7, 9, 12 and 15

19.2 MINISCALE PLUS

The complete axis is delivered lubricated and ready to install. The download area of the www.schneeberger.com website includes order and enquiry forms. Or define the parameters of individual components with one of the SCHNEEBERGER specialists.

19.3 MINISLIDE MS or MSQ

Ordering sequence	88	MS	5-	40.	31-	VD-	HA-	KB-	US
Quantity									
Series	MS or MSQ								
Rail width B _r	4, 5, 7, 9, 12, 15								
System length L	in mm								
Stroke H	in mm								
Defined push force	VD								
Height-matched	HA								
Customer-specific lubrication	KB								
Cleaned with ultrasound and vacuum packed ^(E)	US								

^(E) Ensure the red end plates are removed so that air does not get trapped in the fastening screw holes

SCHNEEBERGER AGENCIES

EUROPE

AUSTRIA

Haberkorn GmbH
6961 Wulfurt
Phone: +43 5574 695-0
Fax: +43 5574 695-99
info.wulfurt@haberkorn.com

BULGARIA / MACEDONIA

Atlas Technik EOOD
Hippodroma, Bl. 139B, Eing. A, App. 6
1612 Sofia, PB 51
Bulgarien
Phone +359 2 859 76 81
Fax +359 2 859 76 81
Mobil +359 8 852 32 595
E-Mail: al_popoff@techno-link.com

CROATIA

Haberkorn CRO d.o.o.
10431 Sveta Nedelja
Phone +385 1 333 5870
Fax. +385 1 337 3902
E-Mail: info@haberkorn.hr

CZECH REPUBLIC

INOMECH s.r.o. .
Martina Koláře 2118
390 02 Tábor
Phone +420 381 252 223
E-Mail: inomech@inomech.com

DENMARK

HERSTAD + PIPER A/S
Jernholmen 48c
2650 Hvidovre
Phone +45 367 740 00
Fax +45 367 777 40
E-Mail: mail@herstad-piper.dk

FINLAND

EIE Maskin OY
PL, 80 Asematie 1
10601 Tammisaari
Phone +358 192 239 100
Fax +358 192 239 199
E-Mail: info@eie.fi

FRANCE

Region Rhône-Alpes
Groupe BARET
6 avenue du 11 novembre 1918
69200 Venissieux
Phone +33 4 78 77 32 32
Fax +33 4 78 00 90 00
E-Mail: contact@baret.fr

Regions Ile de France, Normandie, Bretagne

Groupe LEICHEVALIER
56 rue Jean Mermoz
Parc d'activités de la Bretèque
76230 Bois-Guillaume Cedex
Phone +33 2 35 12 65 65
Fax +33 2 35 59 89 97
E-Mail: contact@lechevalier-sa.com

Region Nord Pas de Calais

LEFRANC LTL «Le Panetier»
35, rue Pierre Martin
Parc d'Activités de l'Inquétie
62280 Saint Martin Boulogne
Phone +33 3 21 99 51 51
Fax +33 3 21 99 51 50
E-Mail: lefranc.boulogne@lefranc-sa.fr

GERMANY

BGP-Blazevic Geradlinige Präzisionstechnik
Stipo Blazevic
Hochstiftstrasse 31
93055 Regensburg
Phone +49 941 569 996 20
Fax +49 941 569 950 97
Mobil +49 151 401 126 25
E-Mail: info@bgp-blazevic.de

EUROPE

GREAT BRITAIN

LG Motion Ltd.
Unit 1 Telford Road
Houndmills Estate, Basingstoke
Hampshire RG21 6YU
Phone +44 012 563 656 00
Fax +44 012 563 656 45
E-Mail: info@lg-motion.co.uk

HUNGARY

Haberkorn Kft.
Asztalos Sándor u.12
Budapest, 1087
Phone +36 13030325
Fax +36 1/3030262
E-Mail: office@haberkorn.hu

ITALY

Nadella S.r.l.
Via Melette, 16
20128 Milano
Phone +39 022 709 329 7
Fax +39 022 551 768
E-Mail: customer.service@nadella.it

NORWAY

Elmeko AS (s. EIE Maskin)
Tvetenveien 164
0671 Oslo
Phone +47 675 722 70
Fax +47 675 722 80
E-Mail: elmeko@elmeko.no

POLAND

TECHNIKA LINIOWA
Rollico Rolling Components
Ul. Cegielniana 21
42-700 Lubliniec
Phone +48 343 510 430
Fax +48 343 510 431
E-Mail: rollico@rollico.com

ROMANIA

Meximpex SRL
4, Burebista Blvd.,
bl. D13 sc. A et 2 ap. 9-10
031108 Bucharest
Phone +40 213 166 843 /44
Fax +40 213 166 846
E-Mail: office@meximpex.ro

SERBIA/MONTENEGRO

Haberkorn d.o.o.
Kralja Petra I, 59
21203 Veternik,
Phone +381 21 3 101 555
Fax +381 21 3 101 554
E-Mail: office@haberkorn.rs

SLOVAKIA

KBM, s.r.o.
Juraj Hajovsky
Zitná 13
010 04 Zilina
Phone +421 417 070 324
Fax +421 417 070 333
Mobile +421 090 585 1465
E-Mail: jhajovsky@kbm.sk

SLOVENIA / BOSNIA HERZEGOVINA

Haberkorn d.o.o.
Vodovodna ul. 7
2000 Maribor
Phone +386 2 320 67 10
Fax +386 2 320 67 30
E-Mail: info@haberkorn.si

SPAIN / PORTUGAL

TECNOMECA-KI DELAN-DEXIS
Pol Industrial Itziar
20829 DEBA (Gipuzkoa)
Phone +34 943 199 201
Phone +34 943 199 273
E-Mail: tecnomeca@tecnomeca.com

EUROPE

SWEDEN

EIE Maskin AB
Box 7
12421 Bandhagen
Phone +46 87 278 800
Fax +46 87 278 899
E-Mail: eie@eie.se

TURKEY

Birlik Rulman (Paz.ltd.sti.)
Mumhane Cad. No: 16
80030 Karakoy-Istanbul
Phone +90 212 249 54 95
Fax +90 212 244 21 40
E-Mail: birlik@birlikrulman.com

Mustafa Kozanlı Mühendislik Ltd. Şti.
Çalı Kavşağı Alaaddinbey Cad. No: 7
16130 Nilüfer / BURSA
Phone +90 224 443 26 40
Fax +90 224 443 26 39
E-Mail: satis@kozanli.com.tr

ASIA

KOREA

Intech Automation Inc.
1-1108, Ace Hitech City
55-20 Mullaee-Dong 3-Ga
Youngdeungpo-Ku
150-972 Seoul
Phone +82 2 3439 0070 - 4
Fax +82 2 3439 0080
E-Mail: intech@intechautomation.co.kr

Lineartech Inc.
369 Geumgok-ri, Dongtan-myeon
Hwaseong-si, Gyeonggi-do
445-811 Korea
Phone +82 31 274 0485
Fax +82 31 274 0486
E-Mail: lineartech@chol.com

TAIWAN / REPUBLIC OF CHINA

Ever Bright Precison Ltd.
1 F,nr.52
Lane 10 Chi-hu Road
114 Taipei
Phone +886 226 595 586
Fax +886 226 595 587
E-Mail: sales@everbright.com.tw

AUSTRALIA / NEW ZEALAND

RJM Engineering Supplies
Tamar Street 13
VIC 3134 Ringwood
Phone +61 398 794 881
Fax +61 398 793 700
E-Mail: sales@rjmeng.com.au

SOUTH AFRICA

Fischli & Fuhrmann Ltd.
P.O Box 253
1600 Isando Gauteng
Phone +27 119 745 571
Fax +27 119 745 574
E-Mail: info@ffu.co.za

SOUTH AMERICA

Ibatech Tecnologia Ltda.
Av. Amazonas, 976
90240 542 Porto Alegre RS
Brazil
Phone +55 513 337 14 81
Fax +55 513 337 52 65
E-Mail: service@framar-corp.com

PROSPECTUSES

- COMPANY BROCHURE
- CUSTOMIZED BEARINGS
- GEAR RACKS
- LINEAR BEARINGS and RECIRCULATING UNITS
- MINERAL CASTING SCHNEEBERGER
- MINI-X MINIRAIL / MINISCALE PLUS / MINISLIDE
- MONORAIL and AMS profiled linear guideways with integrated measuring system
- MONORAIL and AMS application catalog
- POSITIONING SYSTEMS
- SLIDES



SCHNEEBERGER COMPANIES

SWITZERLAND

SCHNEEBERGER AG
Lineartechnik
St. Urbanstrasse 12
4914 Roggwil/BE

Phone +41 62 918 41 11
Fax +41 62 918 41 00

E-Mail:
info-ch@schneeberger.com

JAPAN

Nippon SCHNEEBERGER K.K.
Crane Toranomon Bldg 7F
3-20-5 Toranomon, Minato-ku
Tokyo 105-0001

Phone +81 3 6435 7474
Fax +81 3 6435 7475

E-Mail:
info-j@schneeberger.com

JAPAN

日本シュネーベルガー株式会社
〒105-0001
東京都港区虎ノ門3-20-5
クレイン虎ノ門ビル7F

電話 03 6435 7474
ファクス 03 6435 7475

Eメール:
info-j@schneeberger.com

GERMANY

SCHNEEBERGER GmbH
Gräfenau
75339 Höfen/Enz

Phone +49 7081 782 0
Fax +49 7081 782 124

E-Mail:
info-d@schneeberger.com

CHINA

SCHNEEBERGER
(Shanghai) Co., Ltd.
Rm 606, Shang Gao International
Building
No. 137 XianXia Road
200051 Shanghai

Phone +86 21 6209 0037 / 27
Fax +86 21 6209 0102

E-Mail:
info-cn@schneeberger.com

CHINA

施耐博格 (上海) 传动技术有限公司
上海市长宁区
仙霞路137号盛高国际
大厦606室, 上海 200051

电话 +86 21 6209 0027
传真 +86 21 6209 0102

邮箱:
info-cn@schneeberger.com

ITALY

SCHNEEBERGER S.r.l.
Via Soldani 10
21021 Angera (VA)

Phone +39 0331 93 2010
Fax +39 0331 93 1655

E-Mail:
info-i@schneeberger.com

KOREA

SCHNEEBERGER Korea Ltd.
Garden5 Tool
10, Chungmin-ro,
Songpa-gu, Seoul,
Korea 05840

Phone +82 2 554 2971
Fax +82 2 554 3971

E-Mail:
info-kr@schneeberger.com

KOREA

슈니베르코리아 유통회사
서울특별시 송파구 충민로 10
(문정2동 가든파이프 풀관 10층)
우편번호 05840

전화 +82 2 554 2971
팩스 +82 2 554 3971

이메일:
info-kr@schneeberger.com

USA

SCHNEEBERGER Inc.
44 Sixth Road,
Woburn, MA 01801-1759

Phone +1 781 271 0140
Fax +1 781 275 4749

E-Mail:
info-usa@schneeberger.com

SINGAPORE

SCHNEEBERGER LINEAR
TECHNOLOGY PTE. Ltd.
160 Paya Lebar Road, #05-04
Orion Industrial Building
409022 Singapore

Phone + 65 6841 2385
Fax + 65 6841 3408

E-Mail:
info-sg@schneeberger.com

INDIA

SCHNEEBERGER India Pvt. Ltd.
406, Satra Plaza,
Palm Beach Road, Sector 19D Vashi,
400 703 New Mumbai

Phone +91 22 6461 0646
+91 22 6461 1756

E-Mail:
info-in@schneeberger.com

SCHNEEBERGER MINERAL CASTING

CZECH REPUBLIC

SCHNEEBERGER
Mineralgusstechnik s.r.o
Prumyslový park 32/20
350 02 Cheb – Dolní Dvory

Phone +420 354 400 941
Fax +420 354 400 940

E-Mail:
info-mineralguss@schneeberger.com

CHINA

SCHNEEBERGER Changzhou
Precision Systems Co. Ltd.
137 Hanjiang Road
Changzhou New district
213000 Changzhou, Jiangsu

Phone +86 519 8988 3938
Fax +86 519 8988 5115

E-Mail:
info-mineralcasting@schneeberger.com

CHINA

施耐博格 (常州) 测试系统有限公司
汉江路137, 常州新区, 常州213022

电话 +86 519 8988 3938
传真 +86 519 8988 5115

邮箱:
info-mineralcasting@schneeberger.com



SCHNEEBERGER SALES DEPARTMENTS

AUSTRIA AND SOUTH EAST EUROPE

Mobile +43 676 935 1035

E-Mail:
info-a@schneeberger.com

ISRAEL

Mobile +972 5 0551 7920

E-Mail:
info-il@schneeberger.com

BENELUX

Mobile +31 6 5326 3929

E-Mail:
info-nl@schneeberger.com

POLAND, SLOVAKIA, CZECH REPUBLIC

Mobile +420 6 0278 4077

E-Mail:
info-cz@schneeberger.com

DENMARK, SWEDEN

Mobile +31 6 5326 3929

E-Mail:
info-nl@schneeberger.com

RUSSIA, BELARUS, UKRAINE

Mobile +7 985 960 85 53
Mobile +38 050 407 6789
Mobile +37 529 860 0410

E-Mail:
info-ru@schneeberger.com

FRANCE

Mobile +33 6 0941 6269

E-Mail:
info-f@schneeberger.com

SPAIN, PORTUGAL ANDORRA

Mobile +34 69 559 05 99

E-Mail:
info-es@schneeberger.com

GREAT BRITAIN

Mobile +44 77 8814 5645

E-Mail:
info-uk@schneeberger.com

TURKEY

Mobile + 90 545 320 83 55

E-Mail:
info-tr@schneeberger.com